

CYCNIX

CYCNIX



統達冷氣製品有限公司
STATE RICH
Air Conditioning Products Limited

香港觀塘工業中心一期四樓 N 室
Phone : (852) 2344 1607 Fax : (852) 2344 6769
E - mail : staterich@hotmail.com
Website : <https://sites.google.com/site/staterichproducts>



統 達
STATE RICH



統達冷氣製品有限公司
(前稱「統達實業有限公司」)

於一九八七年在香港註冊成立，開業至今已近三十年歷史，由最初只生產木質風口，至今大量生產各式各樣的散流器。本公司經過廿多年的不斷努力、力求上進，同時亦承蒙各位顧客及行家的鼎力支持，在冷氣工程界內已獲得顯著的成績。

隨著中國對外開放政策的實施及為滿足海內外廣大市場的需求，本公司的業務及生產規模亦隨之擴大，於一九九一年在國內註冊成立「統達通風設備(深圳)有限公司」，並自置二千多平方米廠房，引進多部美國、德國、日本、台灣等國家的先進設備及技術，以生產優質可靠的空調散流器產品。及後於一九九五年被深圳市評為「重合同守信用」的獨資企業。同年本公司以開拓、進取的精神擴大專業人才團隊，開發及生產冷水及雪種風櫃、送鮮風櫃、蒸發器、防火閘、止回閘等系列產品。而本公司的產品亦經由中國公安部、國家技術局檢測中心檢測，以確保各項技術指標都達到國家標準，同時亦獲授予生產許可證。

本公司自創立以來，以質量好、價錢合理、以誠待客及結構精巧等多方面深受廣大消費者的一致好評及支持。故此，本公司的產品不論在粵、港、澳等地，以至全國各工商業大型空調項目中都被廣泛採用。而在香港更是隨處可見，如奧海城、紅磡半島豪庭、藍灣半島、柏景灣、美國銀行大廈、日航酒店、香格里拉酒店、洲際酒店及信德中心等大型項目。另外亦有如明星、美心、利苑及富臨等各大集團酒樓以及大家樂、大快活、元氣、意粉屋、翠華餐廳等等。

客戶至上是本公司的原則。
為客戶提供快捷、完善及誠懇的服務乃本公司的宗旨。

統達冷氣製品有限公司
統達通風設備(深圳)有限公司

STATE RICH AIR CONDITIONING PRODUCTS LIMITED
(formerly known as "STATE RICH INDUSTRIES LIMITED")

was established in 1987. Starting from the production of Wooden Air Outlet to the mass production of variety of diffusers. After 20+ years efforts, strive for excellence, we have gained remarkable achievements in the Air-Conditioning field.

Due to the implementation of Chinese economic reform and the increasing needs of market, we expanded our business to China and registered "STATE RICH VENTILATING EQUIPMENT (SHENZHEN) COMPANY LIMITED" in 1991. We setup a 2,000+ square meters workshop located in ShenZhen with advanced equipments and technology from U.S., Germany, Japan, Taiwan. In the past 20 years, we re-developed and expanded the production line, introduced Air Handling Unit, Fire Damper, Non-return Damper...etc. All these products have reached the National Standard with the permission of production.

On the other hands, our products have been supplied to some shopping mall and residence such as Olympian City, Royal Peninsula, Hotel Nikko Hong Kong, Shangri-la Hotel, InterContinental Hotel, and some restaurant, for example, Star Seafood, Lei Garden, Fu Lum, Fairwood, Cafe de Coral, Maxims, Genki Sushi, Tusi Wah...etc. However, our products have been adopted not only in Hong Kong, but also in Guangdong, Macao or even everywhere in China.

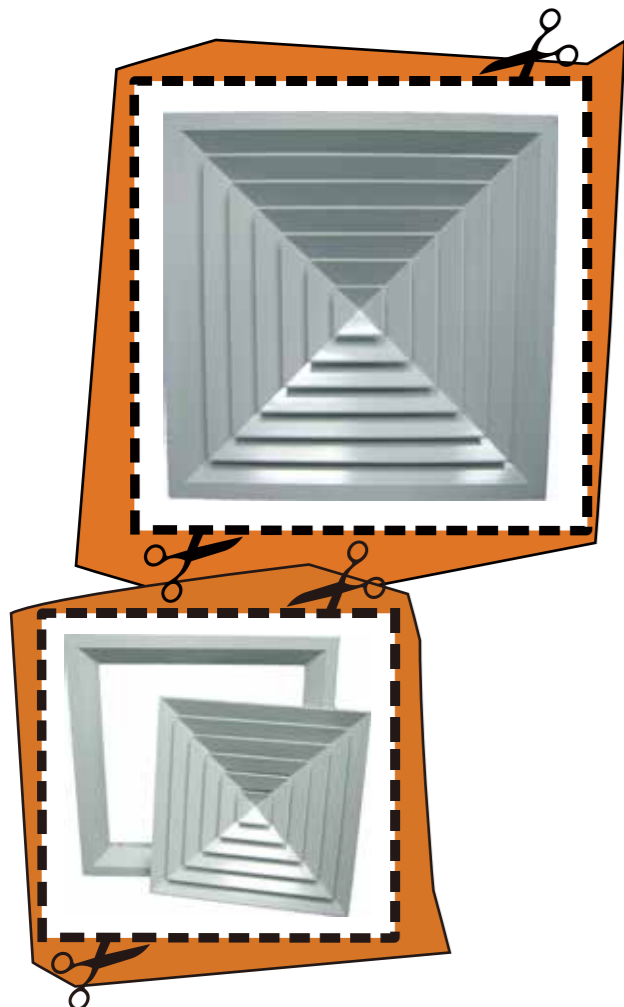
"Quality 1st, Customers Uppermost, Sincere Service" is our company sprits.
We care about our clients more than anyone else.

STATE RICH AIR CONDITIONING PRODUCTS LIMITED
STATE RICH VENTILATING EQUIPMENT (SHENZHEN) COMPANY LIMITED



圓形散流器 (碟形 / 碗形) Round Ceiling Diffuser - Dish / Bowl Shape	P.15 - P.16
環形噴射口 / 球形噴射咀 Ring Jet / Jet Nozzle	P.17 - P.18
線槽散流器 Linear Slot Diffuser	P.19 - P.20
膠質圓形旋轉式散流器 ABS Round Rotary Diffuser	
OBD 方形 / 圓形調節閘 O-Posed / Round O-Posed Blade Damper	P.21 - P.22
蝶形圓 OBD Butterfly O-Posed Blade Damper	
隔塵網 Dust Filter	P.23 - P.24
附註 Remarks	P.25 - P.26
特製散流器 Custom Made Diffuser	
其它產品 / 動力牌產品 Other Products / Dynamic Products	P.27 - P.28

方形吊頂散流器 Square / Rectanglar Ceiling Diffuser	P.01 - P.02
單層 / 雙層百葉出風口 Single / Double Deflection Diffuser	P.03 - P.04
手柄式雙層百葉出風口 Double Deflection Diffuser with Handle	P.05 - P.06
塔形雙葉出風口 Turriiform Double Diffuser	
固定回風 / 防水百葉風口 Return Air / Waterproof Louver	
門鉸式活動回風百葉 / 細葉連隔塵網 Hinged Return Air Louver / Linear with Filter	P.07 - P.08
線形散流器 (零度 / 30度葉片) 0 / 30 Degree Linear Diffuser	P.09 - P.10
活動膽線形散流器 Linear Diffuser with Removable Core	P.11 - P.12
弧形 / 角形線條散流器 Curver / Angular Linear Diffuser	
實物拍攝 Real Image	
無邊線形散流器 Frameless Linear Diffuser	P.13 - P.14
門鉸式 / 彈弓式曲尺散流器 Hinged Trisquare / Trisquare Diffuser	

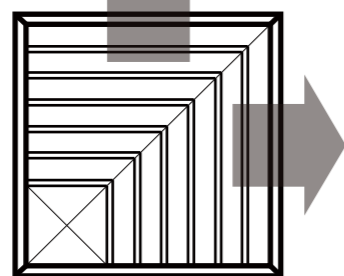


方形吊頂式散流器 (俗稱：底咀或塔咀) 是空調系統中最為廣泛使用的送風口，具有均勻的散流特性及簡潔美觀的外形，同時可根據客戶的實際需要，特別訂造長方形款式，從而增加出風氣流流量。客戶亦可自訂選擇單面、兩面或三面出風的款式 (標準款式為四面出風)，以適應不同的天花情況，達至最佳的散流特性。此散流器同時可於背部配置調節閘 (俗稱：OBD、VCD或人字閘) 以控制風口出風量。而為配合用戶及考慮到使用者安裝及清潔等問題，散流器的內芯 (俗稱：內膽) 部分可與外框分離，以達到用家容易使用的原則。

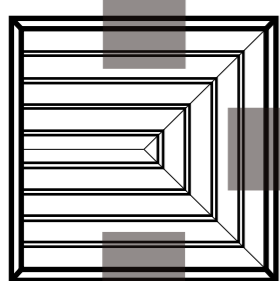
Square / Rectangular Ceiling Diffuser is the most popular air outlet in the air-conditioning field, it has a constant air flow characteristics and simplicity appearance. In order to meet customer needs, rectangular shape also available for increasing the rate of air flow. On the other hand, customers are able to customize the style of diffuser (from one way to four ways) to accommodate with different ceiling. An OBD can be assemble to the back of diffuser in order to control the volume of air flow. Moreover, the user friendly design - removable core, was designed for easier installation or job cleaning.



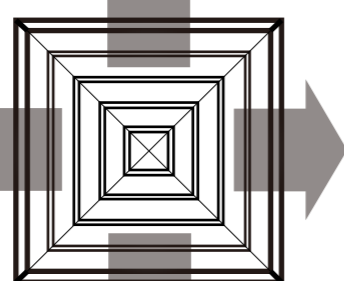
單面出風
One Way



兩面出風
Two Ways



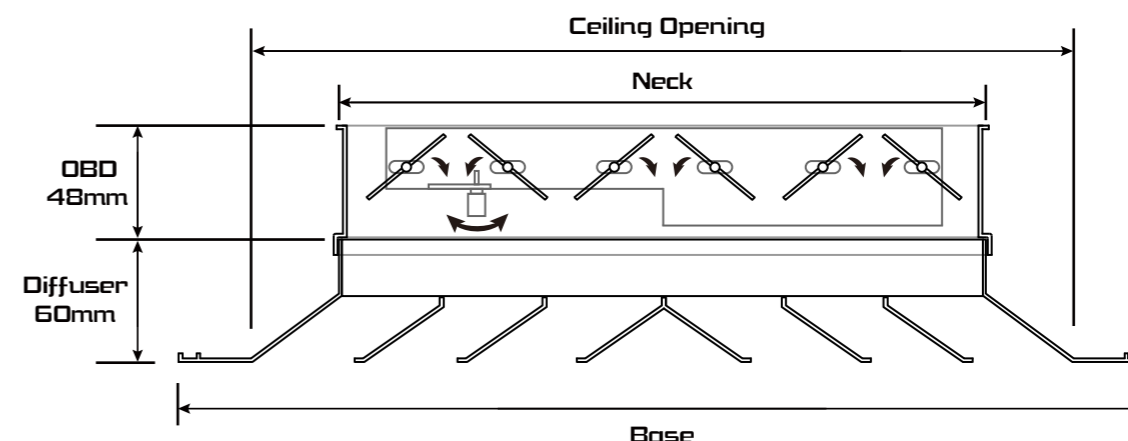
三面出風
Three Ways



四面出風 (標準)
Four Ways (Standard)

- 鋁質
Aluminum
- 鐵質
Steel
- 不銹鋼
Stainless Steel
- 索。鋁質
Anti-drop
- 纖維
Fiberwood
- 木質
Wood

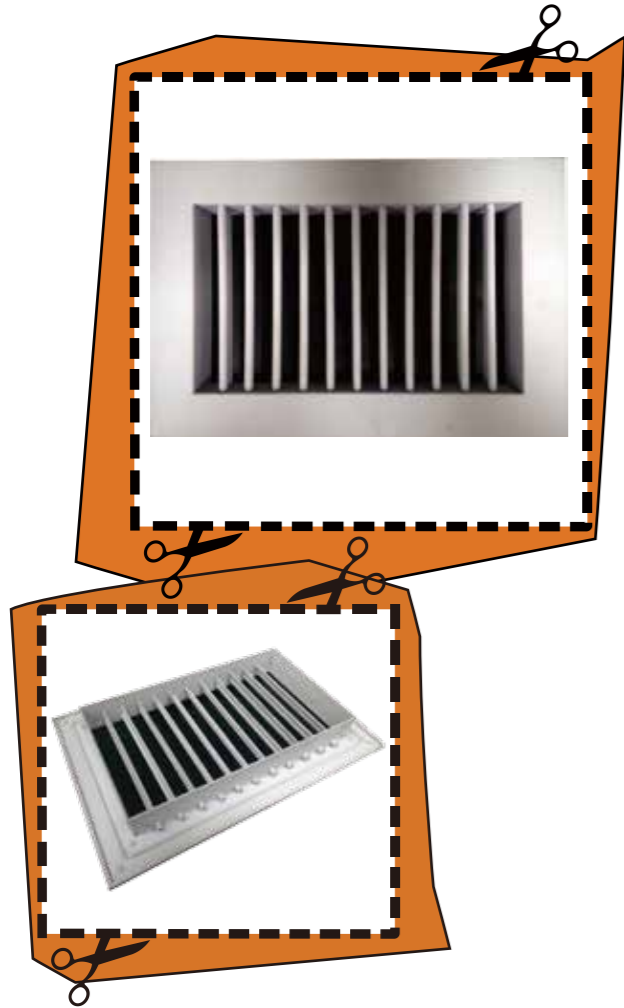
- 自訂顏色
Custom Color
- 可拆式內膽
Removable Core
- 葉片可調較
Adjustable Blade
- 配置 OBD / VCD
Assemble OBD / VCD
- 劃一規格
Standard Specification



方形吊頂散流器配 OBD (側面圖)
Square / Rectangular Ceiling Diffuser with OBD (Side View)

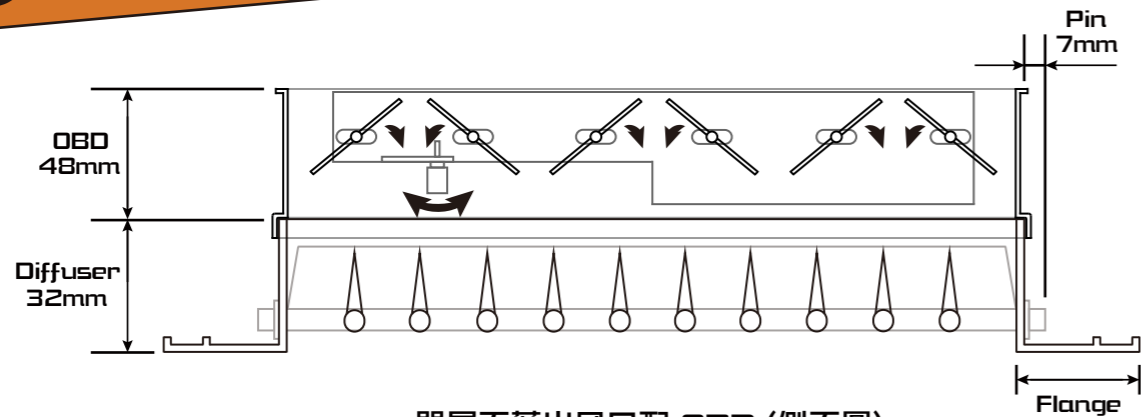
鋁質 / 鐵質 / 纖維 Aluminum / Steel / Fiberwood			木質 Wood			木質 (活動膽) Wood (Removable Core)		
面尺寸 Base	天花開口尺寸 Ceiling Opening	頸喉尺寸 Neck	面尺寸 Base	天花開口尺寸 Ceiling Opening	頸喉尺寸 Neck	面尺寸 Base	天花開口尺寸 Ceiling Opening	頸喉尺寸 Neck
吋 (inch)			吋 (inch)			吋 (inch)		
24	21½	18¼	24	21¾	19¾	24	21¾	17¾
22	19½	16¼	22	19¾	17¾	22	19¾	15¾
20	17½	14¼	20	17¾	15¾	20	17¾	13¾
18	15½	12¼	18	15¾	13¾	18	15¾	11¾
16	13½	10¼	16	13¾	11¾	16	13¾	9¾
14	11½	8¼	14	11¾	9¾	14	11¾	7¾
12	9½	6¼	12	9¾	7¾	12	9¾	5¾
10	7½	4¼	10	7¾	5¾	10	7¾	3¾
毫米 (mm)			毫米 (mm)			毫米 (mm)		
600	535	455	600	535	495	600	535	445
550	485	405	550	485	445	550	485	395
500	435	355	500	435	395	500	435	345
450	385	305	450	385	345	450	385	295
400	335	255	400	335	295	400	335	245
350	285	205	350	285	245	350	285	195
300	235	155	300	235	195	300	235	145
250	185	105	250	185	145	250	185	95

P.S.: 散流器配備 OBD，頸喉尺寸按以上尺寸另加約 ¼"。
An extra ¼" inch must be add onto the neck size for the diffuser with OBD.



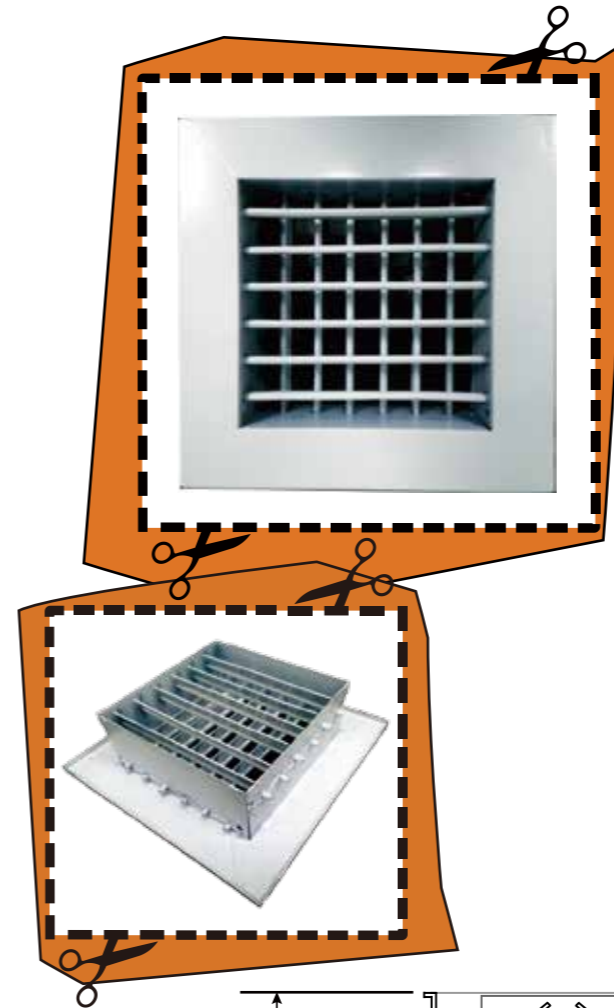
單層百葉出風口 (俗稱：單葉) 的特性與雙層百葉的特性相近，唯不同之處在於葉片的層數只有一層，故在調較出風方向時只能作上下 (或左右) 單一平面調整。與雙葉相對比下，單葉所能控制的出風方向有限，所以近年來較少被客戶採用。然而，無邊框式單葉的設計，卻在某些情況下取代了調節閘 (俗稱：OBD, VCD 或人字閘) 用以調節風量及調整出風方向 (一般安裝在風管 / 風喉末端，以便調較出風的左右方向，再將出風線條咀安裝於表面)。單葉的設計與雙葉可說是大同小異，所以除了可安裝在天花位置，亦可安裝於牆身 (側身) 位置。

Single Deflection Diffuser and Double Deflection Diffuser are in the same clan. Single Deflection Diffuser only has one layer of blade for changing the direction of air flow by adjusted it Up and Down (or Left and Right). Due to the limited air flow adjustment, Single Deflection Diffuser wasn't as popular as Double Deflection Diffuser, however the emergence of flangeless design has started to replace OBD / VCD, in order to adjust the volume and direction of air flow (It can be installs inside the air pipe, and covered by Linear Diffuser). Single and Double Deflection Diffuser are very common in used, both can be use on the ceiling or wall.



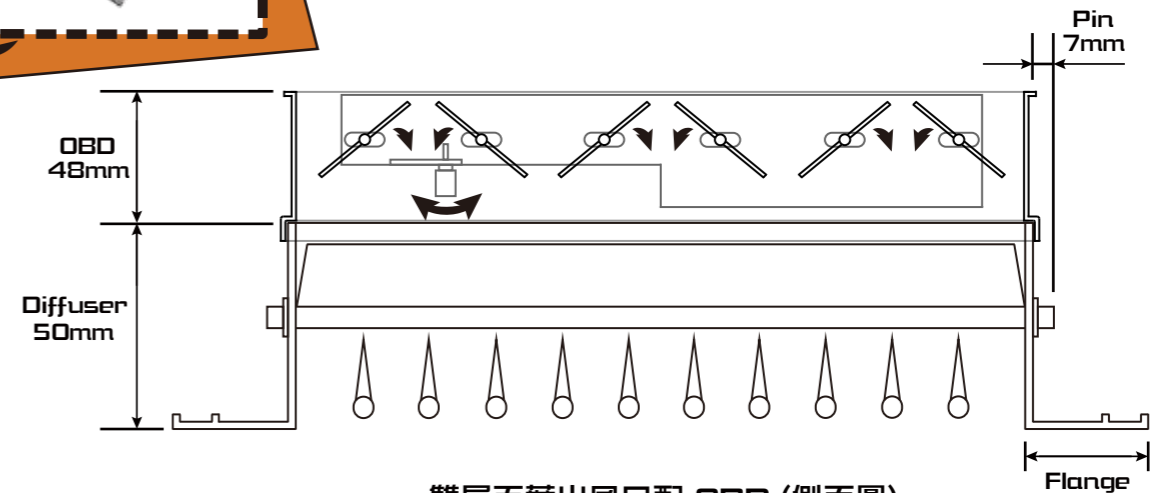
單層百葉出風口配 OBD (側面圖)
Single Deflection Diffuser with OBD (Side View)

- | | |
|--|--|
| <input checked="" type="checkbox"/> 鋁質
Aluminum | <input checked="" type="checkbox"/> 自訂顏色
Custom Color |
| <input checked="" type="checkbox"/> 鐵質
Steel | <input checked="" type="checkbox"/> 可拆式內膽
Removable Core |
| <input checked="" type="checkbox"/> 不銹鋼
Stainless Steel | <input checked="" type="checkbox"/> 葉片可調較
Adjustable Blade |
| <input checked="" type="checkbox"/> 索·鋁質
Anti-drop | <input checked="" type="checkbox"/> 配置 OBD / VCD
Assemble OBD / VCD |
| <input checked="" type="checkbox"/> 纖維
Fiberwood | <input checked="" type="checkbox"/> 劃一規格
Standard Specification |
| <input checked="" type="checkbox"/> 木質
Wood | |



雙層百葉風口 (俗稱：雙葉) 乃是繼方形散流器後，較為普及被採用的出風口。然而其外觀上無法彌補的缺陷，曾令不少用戶為之卻步。可是雙葉獨有的特性同時亦為自己擁絡人心。其獨特的雙層互相垂直的活動葉片設計，可讓用戶獨立地調節每一片水平或垂直葉片的角度，調整氣流擴散面，改變出風射程，讓用戶隨心所欲地向上下左右調整風向。而雙葉亦有別於方形散流器，不僅僅只適合安裝在天花位置，亦可安裝於牆身 (側身) 位置，可用程度極高。

Double Deflection Diffuser is one of the popular air outlet have been used. Although It has an unwelcome appearance, but its strong air flow capacity is the only reason why people select it. The design of double layers of blade are allows users to adjust each single one Up and Down, Left and Right individually. They are not only able to change the direction of air flow, but the distance and volume too. Double Deflection Diffuser is different to the Square / Rectangular Ceiling Diffuser, it can be installs on the ceiling or on the wall without any issues.

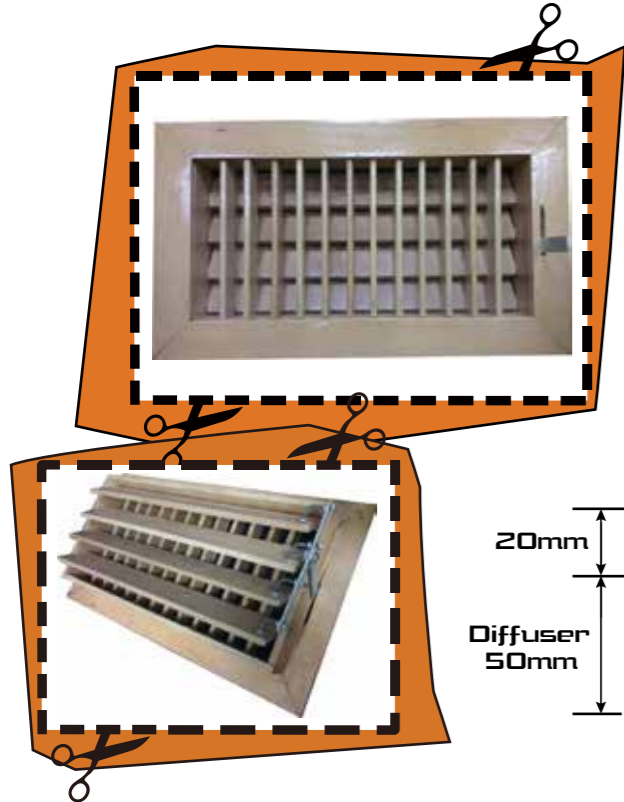


雙層百葉出風口配 OBD (側面圖)
Double Deflection Diffuser with OBD (Side View)

- | | |
|--|--|
| <input checked="" type="checkbox"/> 鋁質
Aluminum | <input checked="" type="checkbox"/> 自訂顏色
Custom Color |
| <input checked="" type="checkbox"/> 鐵質
Steel | <input checked="" type="checkbox"/> 可拆式內膽
Removable Core |
| <input checked="" type="checkbox"/> 不銹鋼
Stainless Steel | <input checked="" type="checkbox"/> 葉片可調較
Adjustable Blade |
| <input checked="" type="checkbox"/> 索·鋁質
Anti-drop | <input checked="" type="checkbox"/> 配置 OBD / VCD
Assemble OBD / VCD |
| <input checked="" type="checkbox"/> 纖維
Fiberwood | <input checked="" type="checkbox"/> 劃一規格
Standard Specification |
| <input checked="" type="checkbox"/> 木質
Wood | |

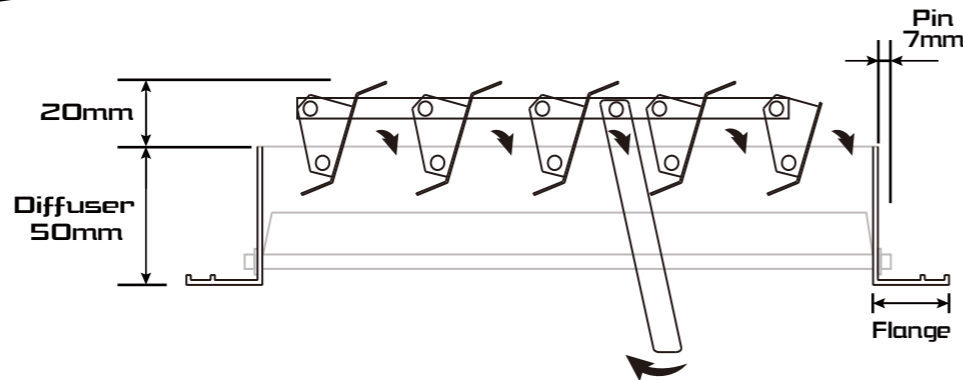
手柄式雙層百葉出風口 Double Deflection Diffuser with Handle

固定回風百葉風口 Return Air Louver



手柄式雙層百葉出風口 是以雙層百葉出風口為基礎，再加以創新及改良，集 OBD / VCD 及雙層百葉於一身，配合後置式手控開合葉片，令用家可以更易調節風量及調整出風方向。

Double Deflection Diffuser with Handle is an innovation which is base on the design of Double Deflection Diffuser. It is a combination of OBD / VCD and Double Deflection Diffuser, with the design of turnable rear blades, users are able to adjust the volume and direction of air flow easily.

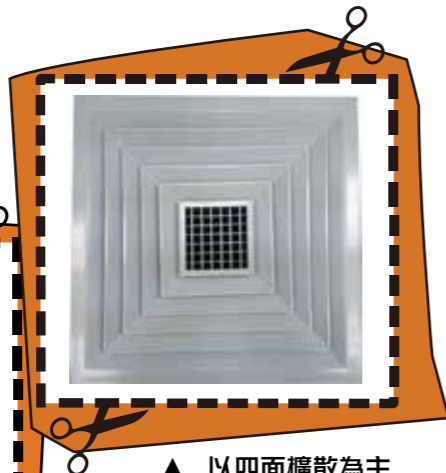


手柄式雙層百葉出風口 (側面圖)
Double Deflection Diffuser with Handle (Side View)

- 鋁質 Aluminum
- 鐵質 Steel
- 不銹鋼 Stainless Steel
- 索·鋁質 Anti-drop
- 纖維 Fiberwood
- 木質 Wood

塔形雙葉出風口 Turriiform Double Diffuser

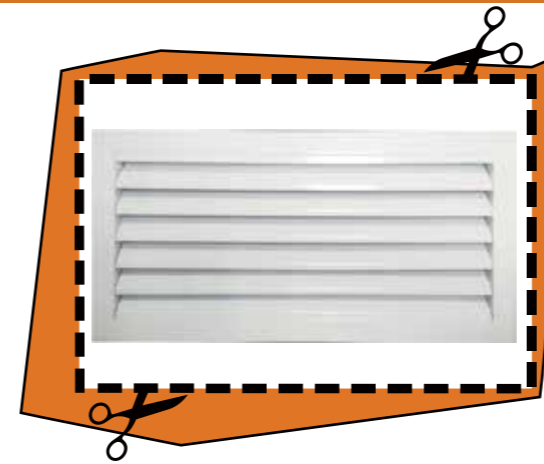
塔形雙葉出風口 是以方形吊頂散流器的框邊，再配合雙層百葉作內膽，是一款既可四面擴散，亦可調整方向的吊頂式出風口。客戶可因應實際情況而選擇以調整方向為主或以四面擴散為主的款式。由於框邊採用方形吊頂散流器的設計，所以安裝尺寸上跟方形吊頂散流器無異，而兩者的內膽尺寸相同，故此能夠交替對換。



以四面擴散為主
Focus on Four Ways

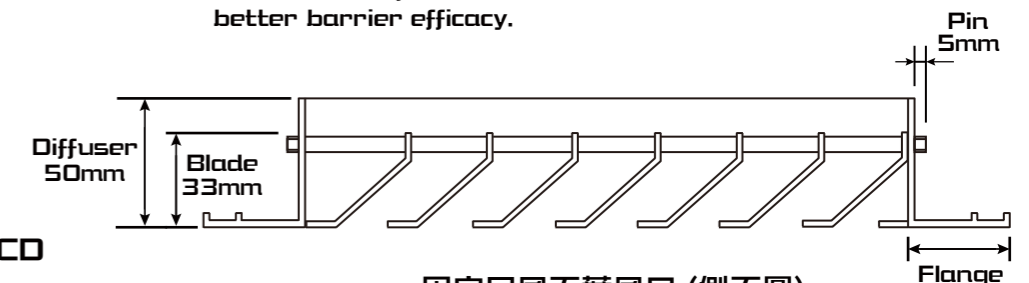
Turriiform Double Diffuser able to deliver the air into four different ways, but also allow user to adjust the direction of air flow. This is a fusion of Square / Rectangular Ceiling Diffuser (Frame) & Double Deflection Diffuser (Core). Users are able to select the diffuser either Focus on Four Ways or Direction Adjustment. Moreover, the core of Square / Rectangular Ceiling Diffuser and Turriiform Double Diffuser are able to swap and install without any problem.

以調整方向為主
Focus on Direction Adjustment



固定回風百葉風口 (俗稱：梗百葉) 由多片約 45 度斜度的大葉片水平固定於外框上，使其具有較好的通風性能而又能減少外來物積聚於風口的问题。固定回風百葉風口一般廣泛應用於風機盤管式系統回風口或外牆出風口及回風口，客戶可選擇性地配以隔塵網或方格網以達至更理想的阻隔功效。

Return Air Louver is made by large 45 Degree Blade, it has good ventilation performance and it can block the foreign objects from outside to get into the air pipe. Return Air Louver usually install on the inlet of the Fan Coil System, or outlet & inlet of the external wall of the building. Customers are able to choose either equipped with the dust filters or chicken wire, in order to achieve better barrier efficacy.



固定回風百葉風口 (側面圖)
Return Air Louver (Side View)

- 自訂顏色 Custom Color
- 可拆式內膽 Removable Core
- 葉片可調較 Adjustable Blade
- 配置 OBD / VCD Assemble OBD / VCD
- 劃一規格 Standard Specification

- 鋁質 Aluminum
- 鐵質 Steel
- 不銹鋼 Stainless Steel
- 索·鋁質 Anti-drop
- 纖維 Fiberwood
- 木質 Wood

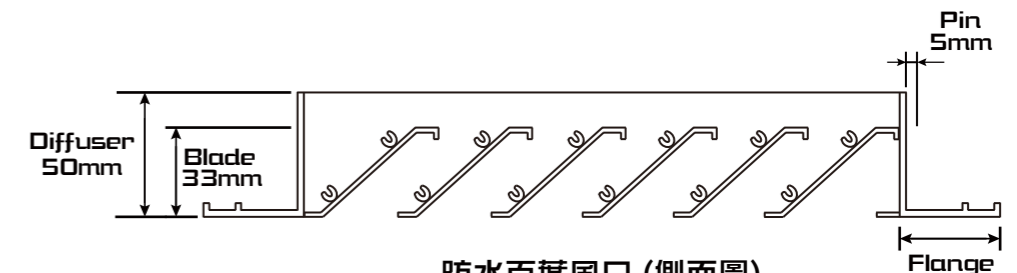
防水百葉風口 Waterproof Louver

防水百葉風口 整體上與固定回風百葉近似，唯一不同之處在於其獨特設計的葉片上，仿「S」型設計的葉片能有效地阻擋水滴濺入室內。由於其實質功效影響，故一般只適用於大廈外牆或較易被水濺到的環境。

Waterproof Louver has an unique design - "S" shape blade which can effectively block the water splash into indoor. Due to this specific function, its generally only applicable to the external wall of building or the place that easy to get water splash in.



- 鋁質 Aluminum
- 鐵質 Steel
- 不銹鋼 Stainless Steel
- 索·鋁質 Anti-drop
- 纖維 Fiberwood
- 木質 Wood



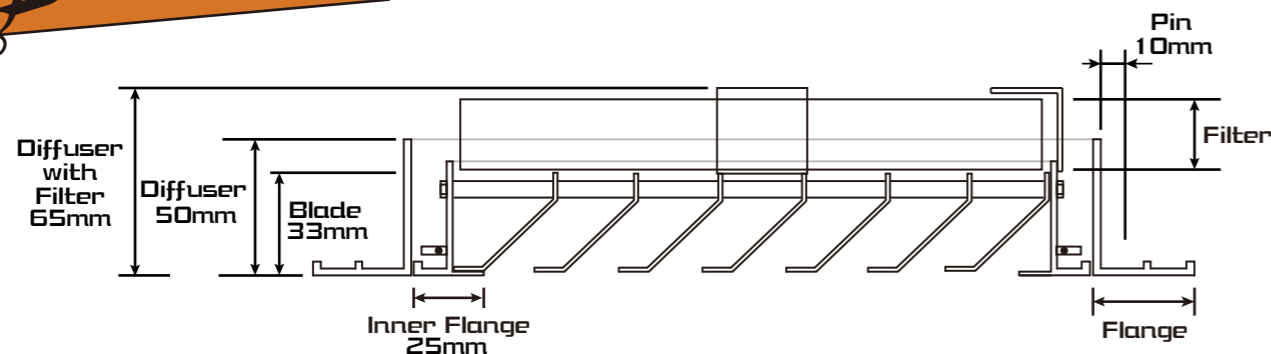
防水百葉風口 (側面圖)
Water Proof Louver (Side View)

- 自訂顏色 Custom Color
- 可拆式內膽 Removable Core
- 葉片可調較 Adjustable Blade
- 配置 OBD / VCD Assemble OBD / VCD
- 劃一規格 Standard Specification



門鉸式活動回風百葉連隔塵網 (俗稱: 活回連鋁網) 主要用於風機盤管式系統作回氣之用, 並適用於冷 / 暖氣通風系統。活回連鋁網是在固定百葉的基礎上加以改良而成的, 此回風風口的內、外兩框以彈鉸連接及鎖定, 而內框可與外框完全分離, 讓客戶當作修理門用, 同時亦方便安裝。風口內層配有隔塵網, 用以過濾及阻隔空氣中的塵埃, 並以固定夾固定, 用家可輕鬆拆除更換或清洗, 以確保風機內部清潔及耐用。

Hinged Return Air Louver with Filter was mainly used on Fan Coil System for both cold and hot air ventilation system. The idea of Hinged Return Air Louver was acquired and developed from Return Air Louver, the openable core brings user convenience of installation and maintenance. Hinge was installed on each corner of the core, it used to link and lock with the outer frame. The removable air filter placed at the back of Louver, to filtrate and obstruct the dust in the air, in order to keep the system internal clean and durable.



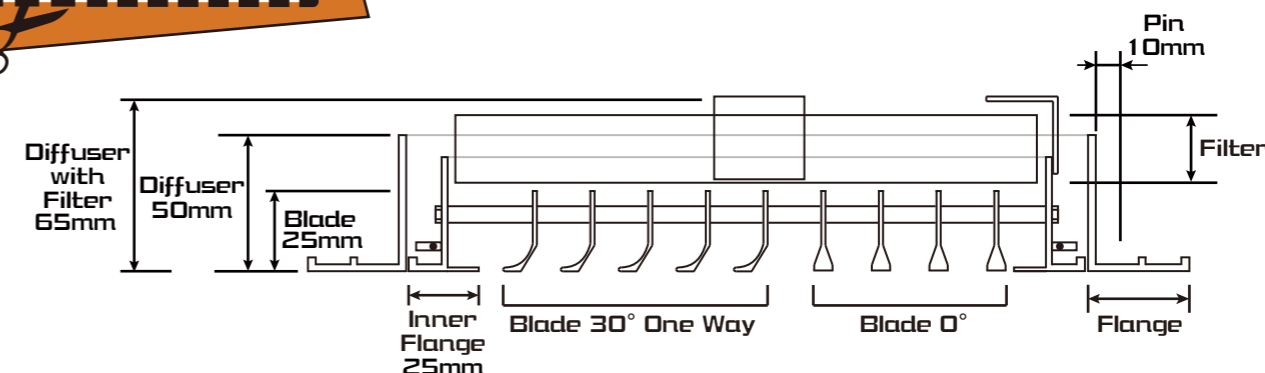
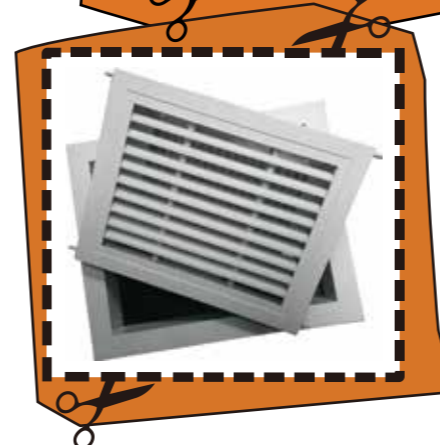
門鉸式活動回風百葉連隔塵網 (側面圖)
Hinged Return Air Louver with Filter (Side View)

- 鋁質 Aluminum
- 鐵質 Steel
- 不銹鋼 Stainless Steel
- 索·鋁質 Anti-drop
- 纖維 Fiberwood
- 木質 Wood
- 自訂顏色 Custom Color
- 可拆式內膽 Removable Core
- 葉片可調較 Adjustable Blade
- 配置 OBD / VCD Assemble OBD / VCD
- 劃一規格 Standard Specification



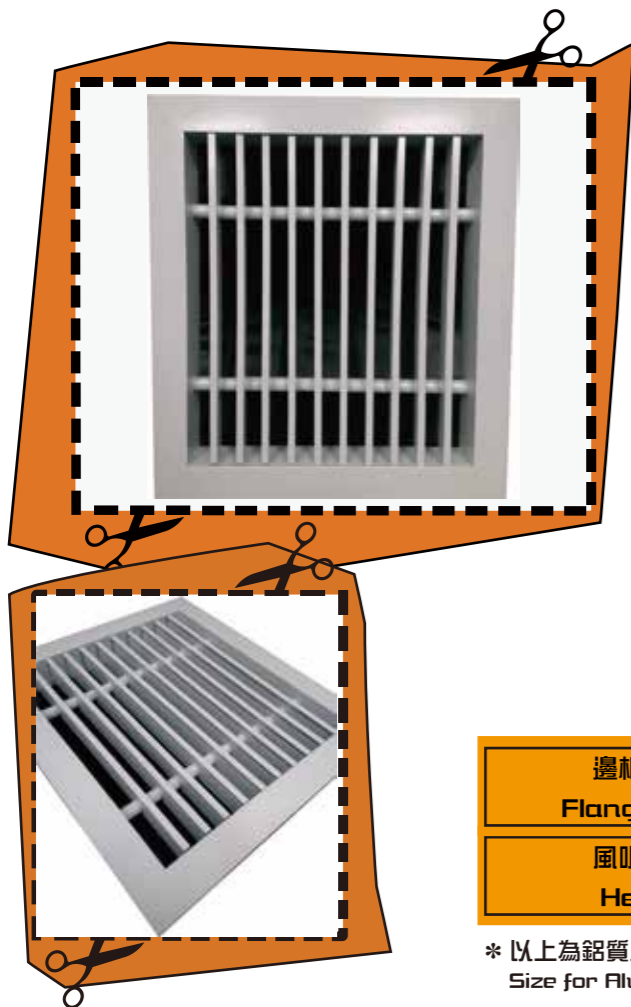
門鉸式活動回風細葉膽連隔塵網 (俗稱: 活回連網膽 30 度或 0 度細葉) 在葉片上放棄傳統採用的大面積百葉, 改用線條阻專用的 30 度或 0 度幼小葉片。從而贏得更好的線條感及外觀, 適用於距離比較長的回風天花。

Hinged Return Air Linear with Filter give up the use of traditional large blade, but using the 0 Degree & 30 Degree small blade from linear diffuser, to obtain better appearance and line shape, it is suitable for ceiling with long return air system.



門鉸式活動回風細葉膽連隔塵網 (側面圖)
Hinged Return Air Linear with Filter (Side View)

- 鋁質 Aluminum
- 鐵質 Steel
- 不銹鋼 Stainless Steel
- 索·鋁質 Anti-drop
- 纖維 Fiberwood
- 木質 Wood
- 自訂顏色 Custom Color
- 可拆式內膽 Removable Core
- 葉片可調較 Adjustable Blade
- 配置 OBD / VCD Assemble OBD / VCD
- 劃一規格 Standard Specification

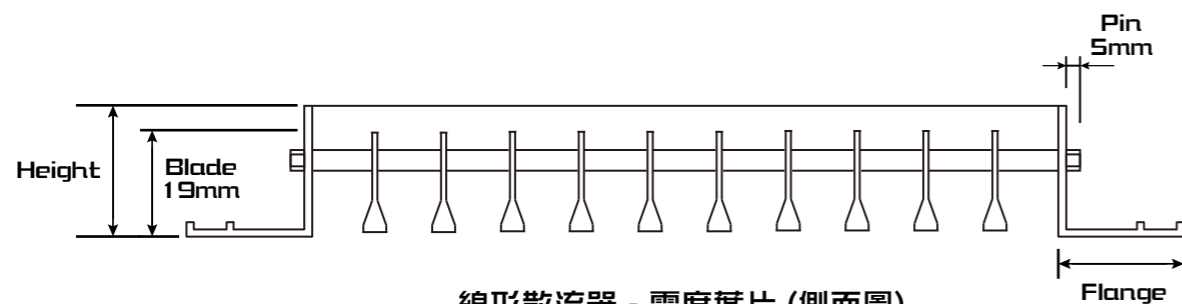


零度葉線形散流器 (俗稱：零度線條咀) 是最廣為用家、設計師、甚至建築師所接納及採用的出風口。其可分段 / 接駁式的設計，可透過增加段數來將散流器伸延至無限遠，讓散流器「遊走」於天花或牆壁間時一氣呵成，不再是斷斷續續。此類型散流器可因應各種不同的天花結構或牆身裝修，經加工處理後彎曲成各大小的弧形，或焊接成帶有角度的線形散流器，簡易而有效地用於室內線形和環形分佈的送風或回風裝置。

0 Degree Linear Diffuser is the top air outlet that accepted by most of the users, designers, or even architects. The sectional / joint design for Linear Diffuser allows the diffuser extends to infinite long without any breaking or space. This type of diffuser can be fabricate into arc or angular form for various structure on the wall and ceiling.

邊框闊度 Flange Wide	寸 (Inch)	¾	1	1¼
	毫米 (mm)	20	25.4	32
風咀高度 Height	寸 (Inch)	1	1	1¼
	毫米 (mm)	25.4	25.4	32

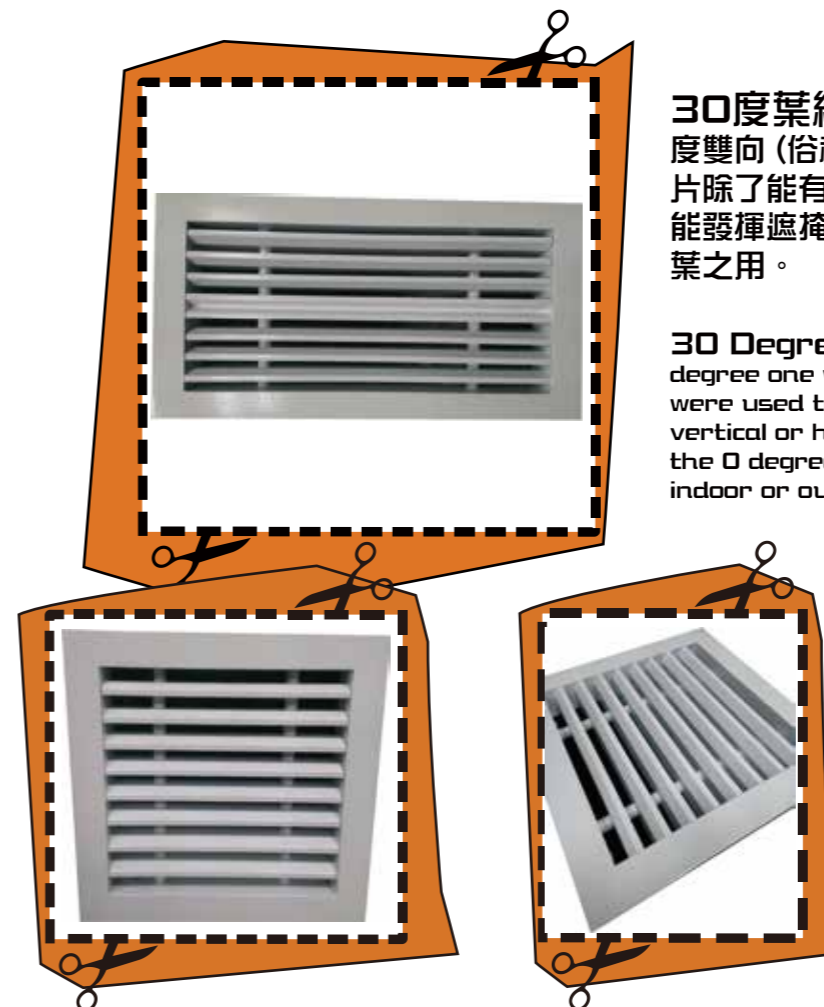
* 以上為鋁質尺寸。
Size for Aluminum only.



線形散流器 - 零度葉片 (側面圖)
0 Degree Linear Diffuser (Side View)

- 鋁質
Aluminum
- 鐵質
Steel
- 不銹鋼
Stainless Steel
- 索·鋁質
Anti-drop
- 纖維
Fiberwood
- 木質
Wood

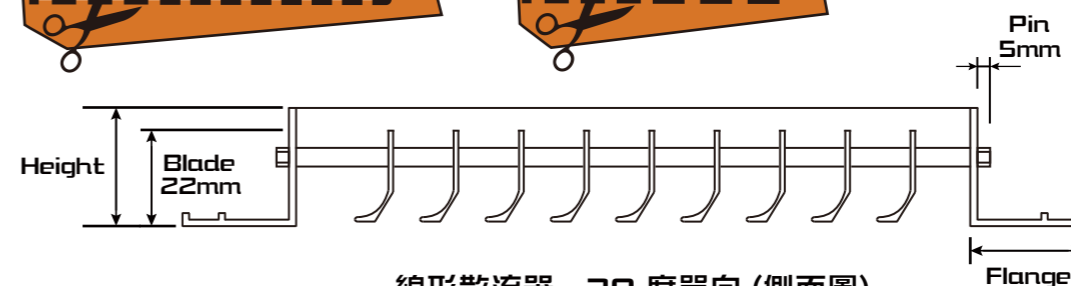
- 自訂顏色
Custom Color
- 可拆式內膽
Removable Core
- 配置 OBD / VCD
Assemble OBD / VCD
- 劃一規格
Standard Specification
- 葉片可調較
Adjustable Blade



30度葉線形散流器 一般分為 30 度單向及 30 度雙向 (俗稱：人字葉或八字葉) 兩種。帶有斜度的葉片除了能有效地改變送風方向外，亦比 0 度葉片更能發揮遮掩的作用，故此也可用作回風百葉或外牆百葉之用。

30 Degree Linear Diffuser has two types : 30 degree one way and 30 degree two ways. Both of them were used to deliver a 30 degree angle air flow either vertical or horizontal. It has a better cover range than the 0 degree blade, therefore, it can be use for both indoor or outdoor return louver.

- 自訂顏色
Custom Color
- 可拆式內膽
Removable Core
- 葉片可調較
Adjustable Blade
- 配置 OBD / VCD
Assemble OBD / VCD
- 劃一規格
Standard Specification



線形散流器 - 30 度單向 (側面圖)
30 Degree One Way Linear Diffuser (Side View)



線形散流器 - 30 度雙向 (側面圖)
30 Degree Two Ways Linear Diffuser (Side View)

邊框闊度 Flange Wide	寸 (Inch)	¾	1	1¼
	毫米 (mm)	20	25.4	32
風咀高度 Height	寸 (Inch)	1	1	1¼
	毫米 (mm)	25.4	25.4	32

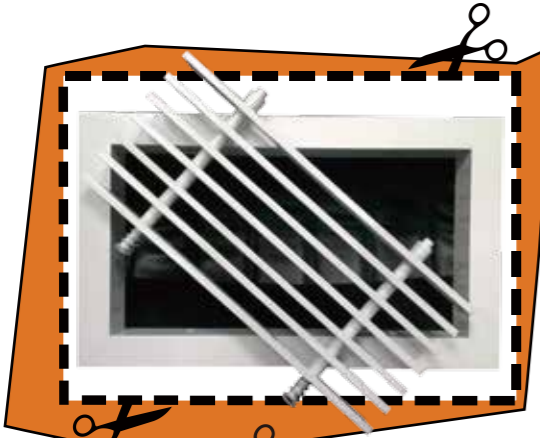
* 以上為鋁質尺寸。
Size for Aluminum only.

- 鋁質
Aluminum
- 鐵質
Steel
- 不銹鋼
Stainless Steel
- 索·鋁質
Anti-drop
- 纖維
Fiberwood
- 木質
Wood

活動膽線形散流器 Linear Diffuser with Removable Core

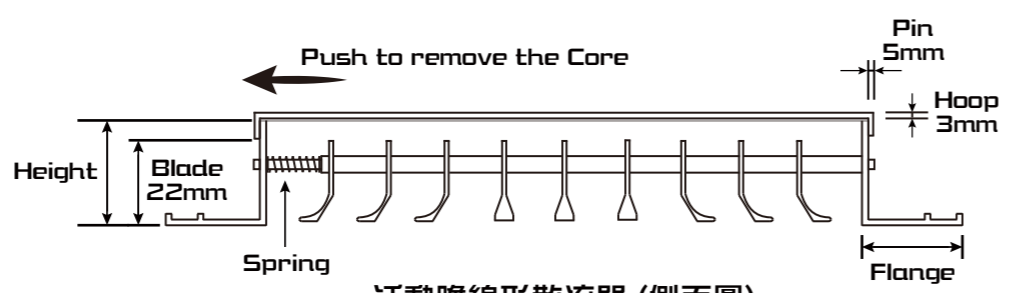
角形線條散流器 Angular Linear Diffuser

11
12

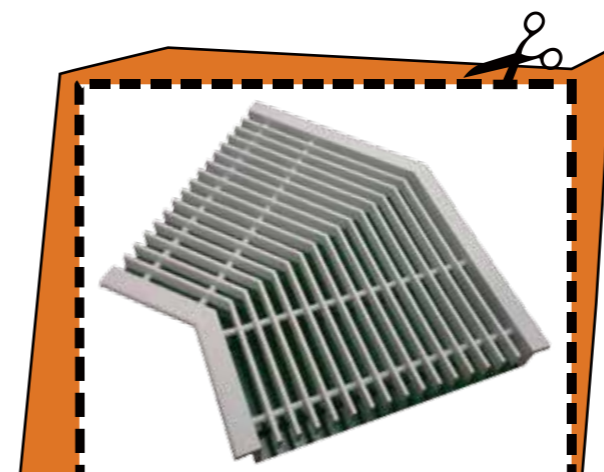


活動膽線形散流器 為配合用戶及考慮到使用者安裝及清潔等問題，技術人員在線形散流器的基礎上稍作改良，加入彈簧部件，從而令葉片（內膽）部份能與外框分離，達到用家容易使用的原則。亦因為解決了內膽的安裝及拆除問題，故只需在線形散流器後加上隔塵網便能達到一般回風風口的功能。

Linear Diffuser with Removable Core is a user-friendly and functional product, it designed to help users for easier cleaning and install. On the other hand, user allowed to add filter to the back of the diffuser for return air uses.

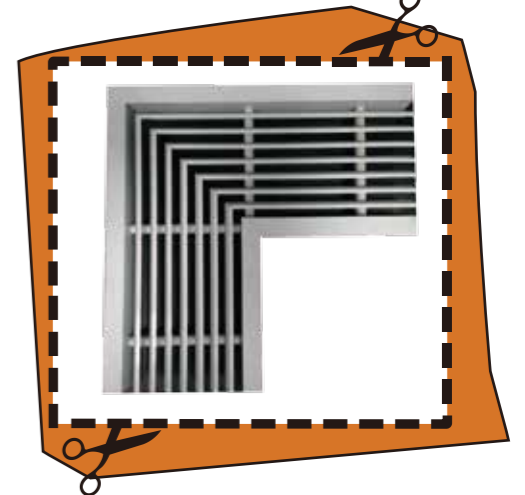


活動膽線形散流器 (側面圖)
Linear Diffuser with Removable Core (Side View)



角形線條散流器 是在經過技術人員的準確量度及加工，配以老練的焊接技術，所生產出帶有角度的線形散流器，足以解決柱子 / 牆壁間轉角位置的問題。

Angular Linear Diffuser is fabricated by technicians with accurate measurement and sophisticated welding skill, which is good enough to let the diffuser go along with corners and pillars.



- 鋁質 Aluminum
- 鐵質 Steel
- 不銹鋼 Stainless Steel
- 索。鋁質 Anti-drop
- 纖維 Fiberwood
- 木質 Wood

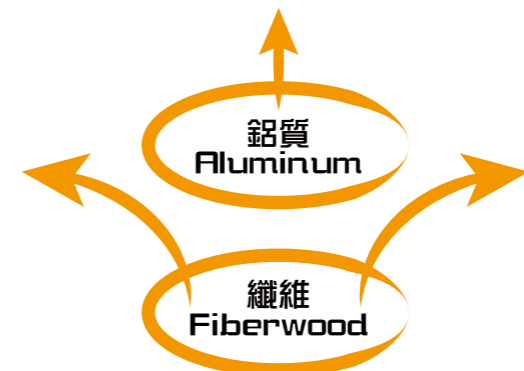
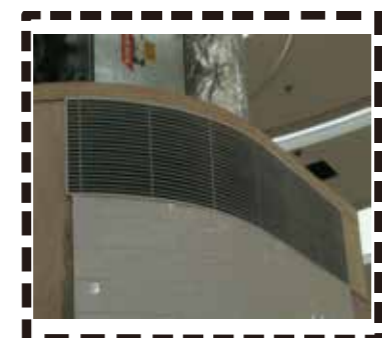
弧形線條散流器 Curver Linear Diffuser

實物拍攝 Real Image

- 鋁質 Aluminum
- 鐵質 Steel
- 不銹鋼 Stainless Steel
- 索。鋁質 Anti-drop
- 纖維¹ Fiberwood
- 木質 Wood

線形散流器 經過加工處理後，能彎曲成各大小的弧形，經組裝後成為可安裝在帶有弧形的天花底部（天花弧或平面弧）或牆身（側身弧）的散流器。

Linear diffuser can be bend to most of the arc shape after processing, its can be applies to the wall or ceiling with curve.

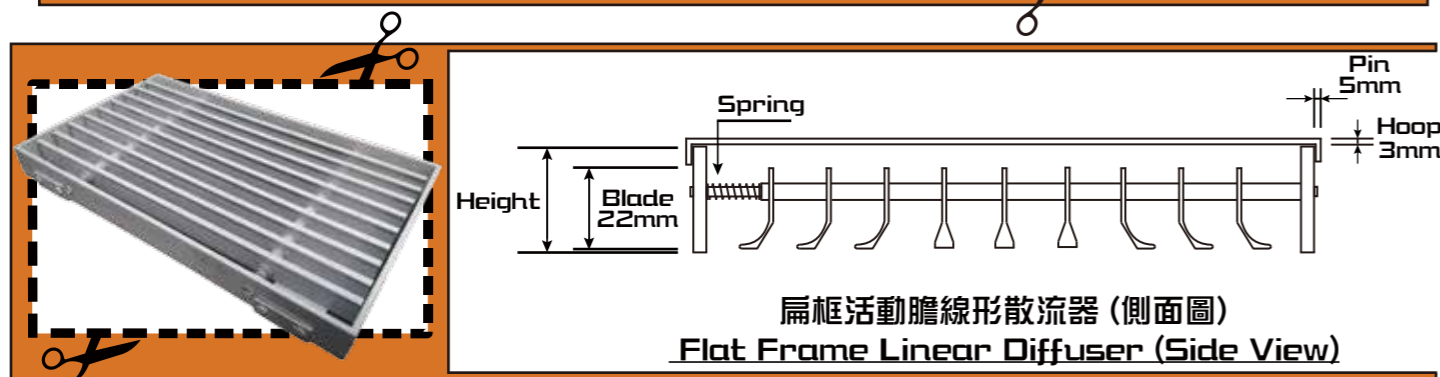
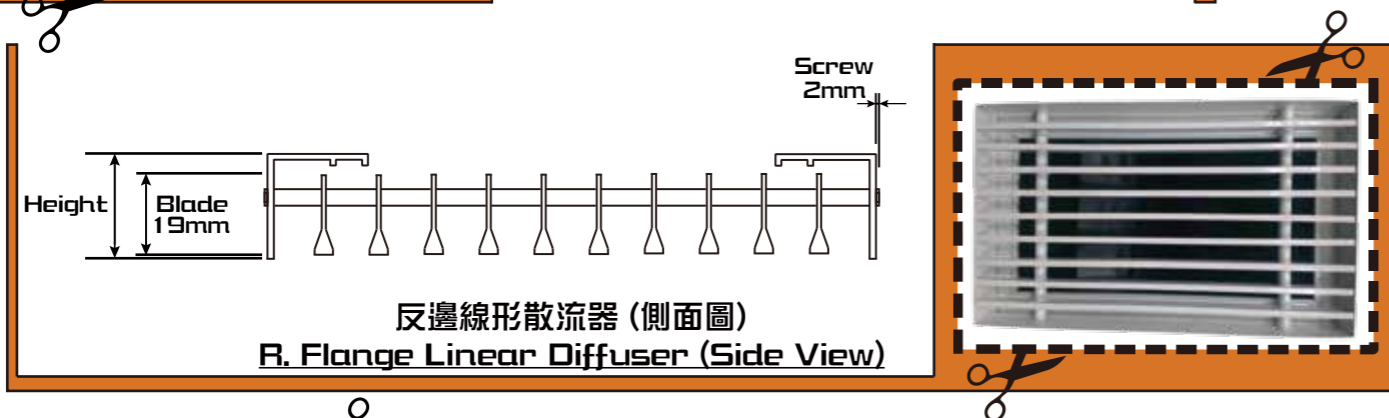
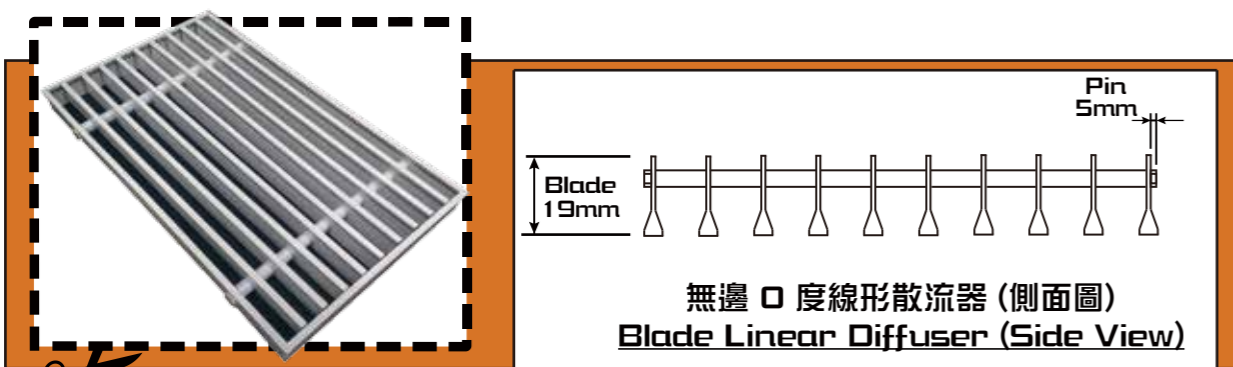


*¹ 纖維風咀只能製成天花弧 / 平面弧，且弧度受到限制，詳情請向本公司查詢。
There is a limitation for bending Fiberwood diffuser, for more details please contact us.

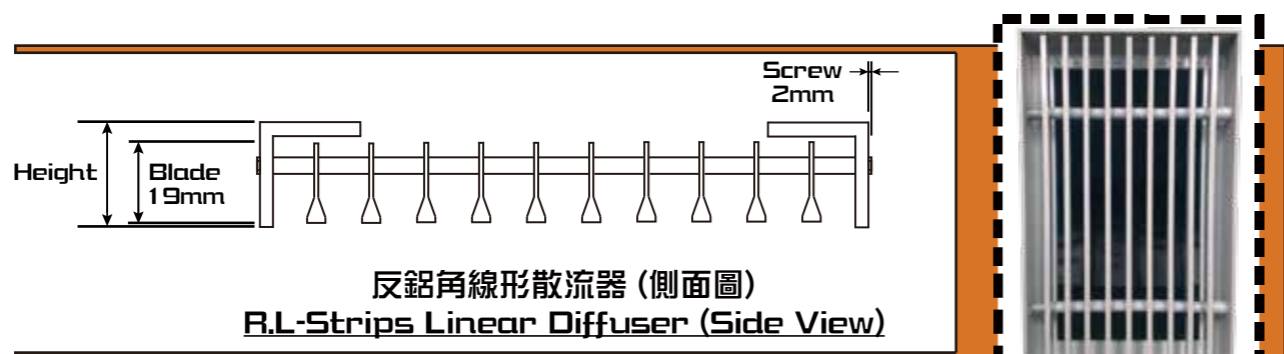
無邊線形散流器 Frameless Linear Diffuser

無邊線形散流器是較為新興的風阻款式，藉由捨棄邊框以獲得更優越的線條。由於室內設計師們多以追求新突破為目標，所以驅使了多種款式的無邊風阻出現，以迎合不同環境的需要。

Frameless Linear Diffuser is a new design of air outlet. Interior designers are trend to pursuit any breakthroughs as their goals, so that a variety styles of frameless Linear Diffuser were emerge for satisfy the actual needs.



- 鋁質 Aluminum
- 鐵質 Steel
- 不銹鋼 Stainless Steel
- 索。鋁質 Anti-drop
- 纖維 Fiberwood
- 木質 Wood

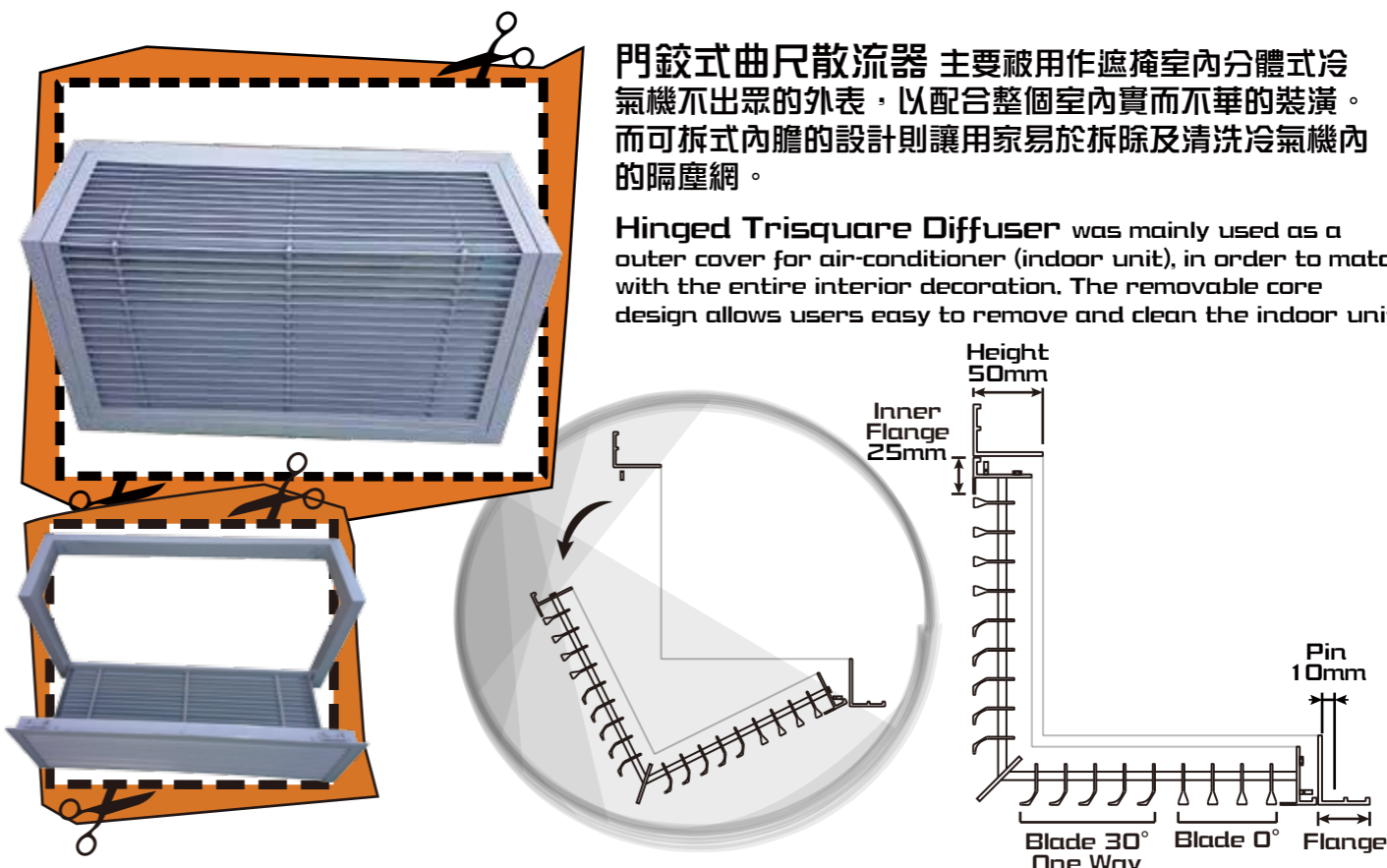


- 鋁質 Aluminum
- 鐵質 Steel
- 不銹鋼 Stainless Steel
- 索。鋁質 Anti-drop
- 纖維 Fiberwood
- 木質 Wood

門鉸式曲尺散流器 Hinged Trisquare Diffuser

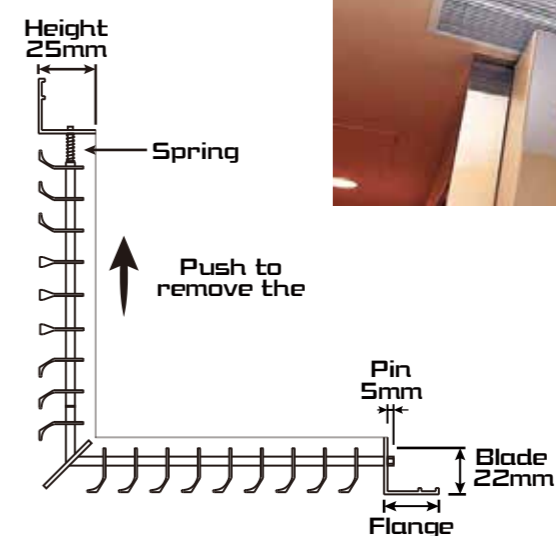
門鉸式曲尺散流器 主要被用作遮掩室內分體式冷氣機不出眾的外表，以配合整個室內實而不華的裝潢。而可拆式內膽的設計則讓家用易於拆除及清洗冷氣機內的隔塵網。

Hinged Trisquare Diffuser was mainly used as a outer cover for air-conditioner (indoor unit), in order to match with the entire interior decoration. The removable core design allows users easy to remove and clean the indoor unit.



- 鋁質 Aluminum
- 鐵質 Steel
- 不銹鋼 Stainless Steel
- 索。鋁質 Anti-drop
- 纖維 Fiberwood
- 木質 Wood

彈弓膽曲尺散流器 Trisquare Diffuser



彈弓膽曲尺散流器 運用活動膽線形散流器的原理拆除內膽，同時收窄邊框的闊度及頸部的深度，簡化了整個曲尺散流器的外表。

Trisquare Diffuser applied the same principle from Linear Diffuser with Removable core, Meanwhile, it has narrow flange width and the height of the diffuser, simplify the appearance of diffuser.

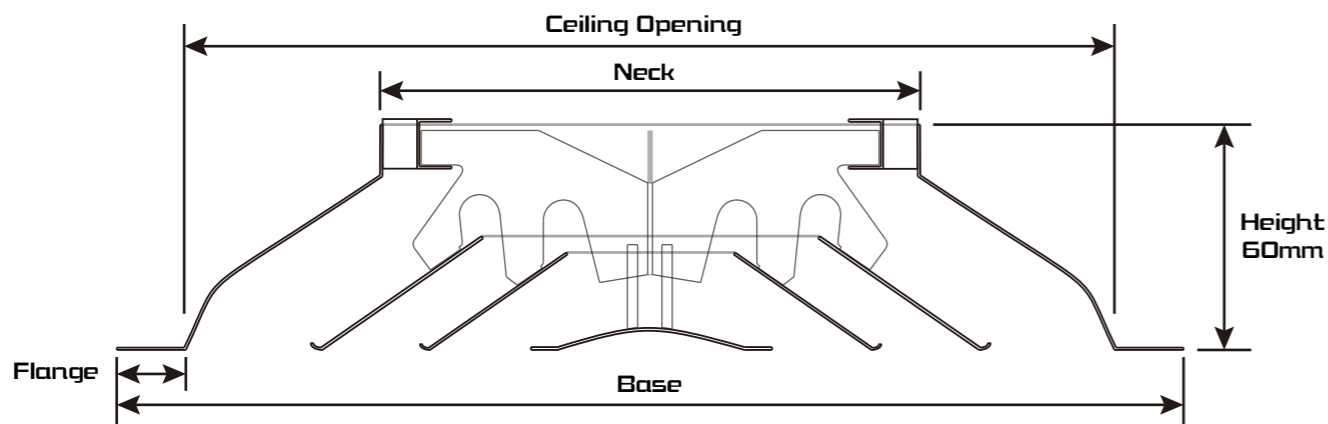
- 鋁質 Aluminum
- 鐵質 Steel
- 不銹鋼 Stainless Steel
- 索。鋁質 Anti-drop
- 纖維 Fiberwood
- 木質 Wood



圓碟形散流器 (俗稱：圓底咀) 有著環形出風的設計，既獨特亦美觀。扁斜的圓葉片令氣流擴散得更遠，特製的鋁內芯骨架在稍作改良後可增加層與層間的距離，加大氣流流量。圓形散流器在製造上有別於一般散流器，其外框及每層圓葉片均透過金屬旋壓成型，所以生產過程中十分倚重圓盤形的模具及熟練的技巧。而其功效及性質上與方形散流器同出一轍，可拆式內芯 (俗稱：內膽) 適當解決了用戶在安裝、清潔上遇到的問題。

Dish Shape Round Diffuser has a unique and elegant design. The flat oblique blade allows air flow deliver farther away, and the distance between each blade can be changed by adjusting the height of special made aluminum inner skeleton. Metal spinning method was requested to fabricate the frame and blade of round diffuser, and it's also really relied on the disc-shaped molds and sophisticated technique. The removable inner core does the same function with Square / Rectangular ceiling diffuser, in order to solve the problem during installation & cleaning.

- 鋁質 Aluminum
- 索·鋁質 Anti-drop
- 鐵質 Steel
- 纖維 Fiberwood
- 不銹鋼 Stainless Steel
- 木質 Wood



圓碟形散流器 (側面圖)
Dish Shape Round Diffuser (Side View)

面直徑 Base	天花開口直徑 Ceiling Opening	頸喉尺寸 Neck	層數 Layers
毫米 (mm)			
Ø320	Ø285	Ø155	4
Ø430	Ø385	Ø205	4
Ø540	Ø465	Ø250	4
Ø650	Ø575	Ø305	4
Ø740	Ø650	Ø350	4
Ø850	Ø755	Ø405	4
Ø1010	Ø875	Ø450	4

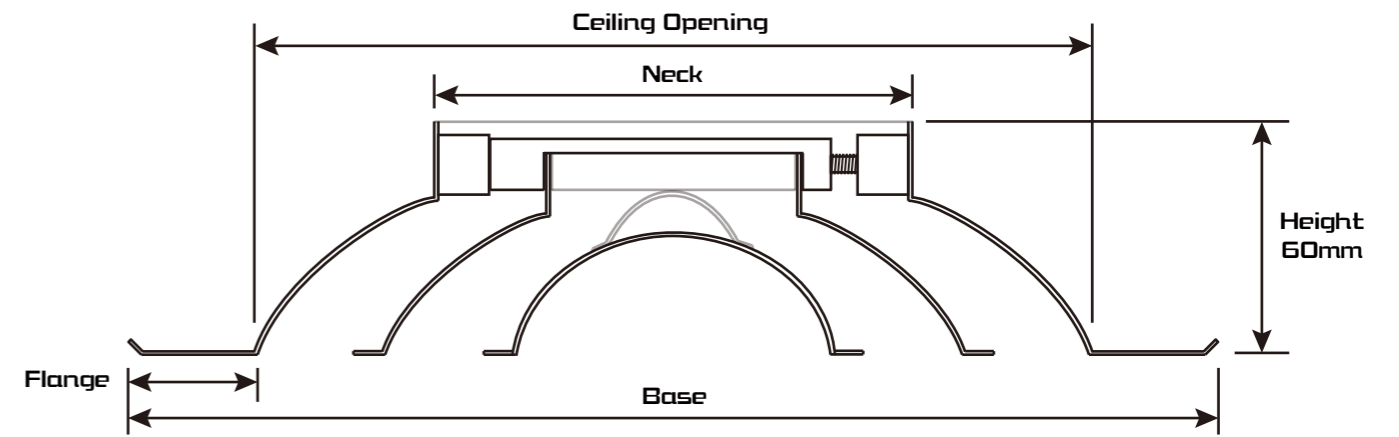
- 自訂顏色 Custom Color
- 可拆式內膽 Removable Core
- 葉片可調較 Adjustable Blade
- 配置 OBD / VCD Assemble OBD / VCD
- 劃一規格 Standard Specification



圓碗形散流器 (俗稱：圓底咀) 與圓碟形散流器相比下，圓葉片的弧度更大，氣流更集中。結構上則以 X 形彈簧骨架取代圓碟形的特製骨架，圓葉片直接焊接於骨架上，使取出或安裝時更輕易，亦更穩固。

Bowl Shape Round Diffuser has greater radian, causes the capacity of air flow is more concentrate than Dish Shape Round Diffuser. The special skeleton from Dish Shape Diffuser was replaced by X-shaped spring skeleton with round blade soldered directly on the skeleton, it made the whole diffuser remove or install easily but also more stable.

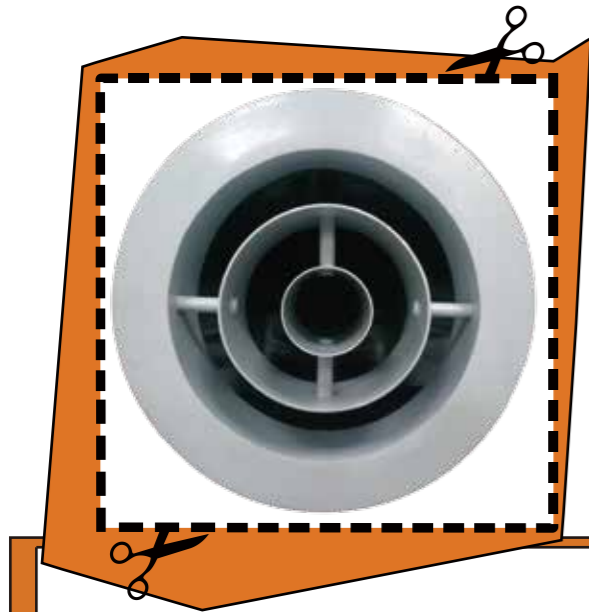
- 鋁質 Aluminum
- 鐵質 Steel
- 不銹鋼 Stainless Steel
- 索·鋁質 Anti-drop
- 纖維 Fiberwood
- 木質 Wood



圓碗形散流器 (側面圖)
Bowl Shape Round Diffuser (Side View)

面直徑 Base	天花開口直徑 Ceiling Opening	頸喉尺寸 Neck	層數 Layers
毫米 (mm)			
Ø300	Ø240	Ø150	3
Ø350	Ø280	Ø200	3
Ø380	Ø320	Ø235	4
Ø400	Ø340	Ø250	4
Ø450	Ø395	Ø300	5
Ø500	Ø440	Ø350	5
Ø530	Ø480	Ø380	6
Ø600	Ø540	Ø450	7

- 自訂顏色 Custom Color
- 可拆式內膽 Removable Core
- 葉片可調較 Adjustable Blade
- 配置 OBD / VCD Assemble OBD / VCD
- 劃一規格 Standard Specification



環形噴射口是以多層環形鋁板彎接而成，藉著管道式設計讓氣流以圓柱形射出，氣流得以更集中。而每層管道均可作單一平面調教(上下或左右)，有助控制噴射方向。

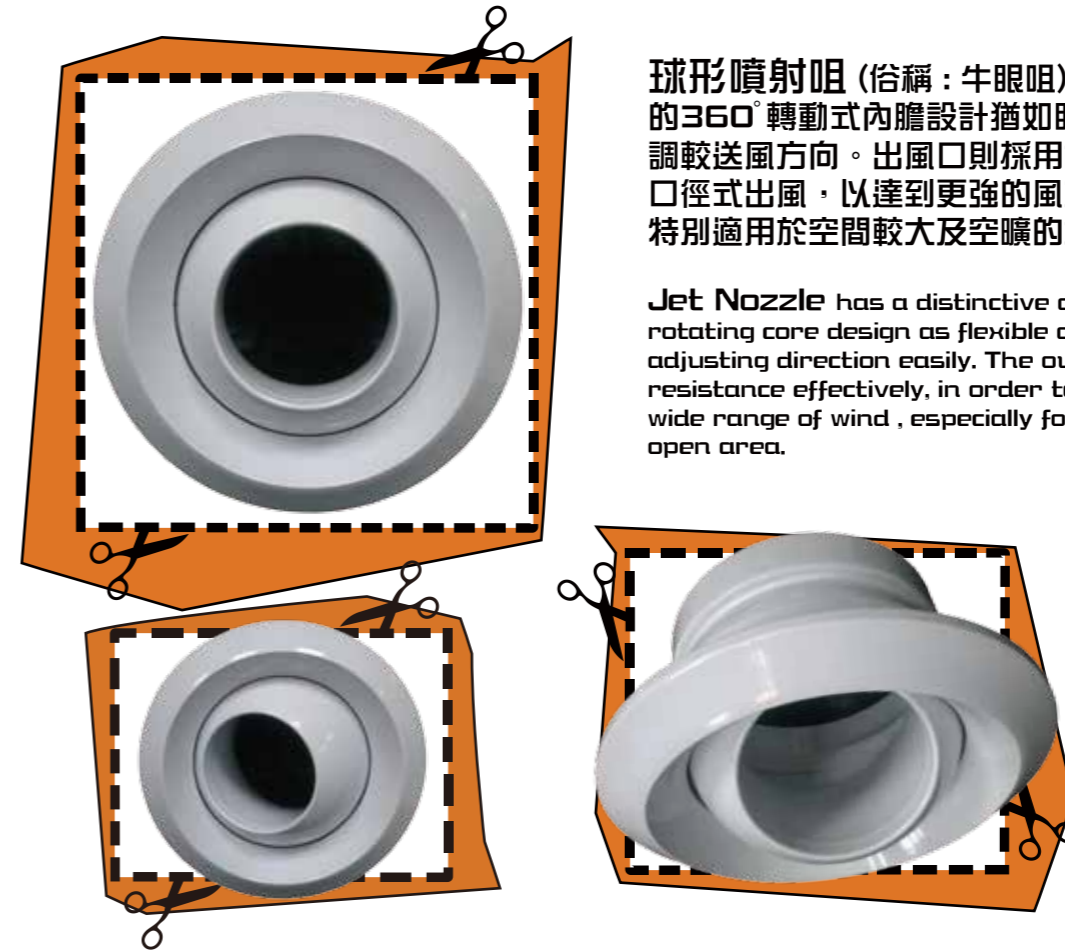
Ring Jet was assembled by couple ring pipes. The design of ring pipe created a cylindrical air flow, which is more concentrated. An adjustment can be made by adjusting the pipe up and down, left or right to control the direction of air flow.

平面環形噴射口 (側面圖)
Flat Ring Jet (Side View)

單層環形噴射口 (側面圖)
Mono-Ring Jet (Side View)

多層環形噴射口 (側面圖)
Multi-Ring Jet (Side View)

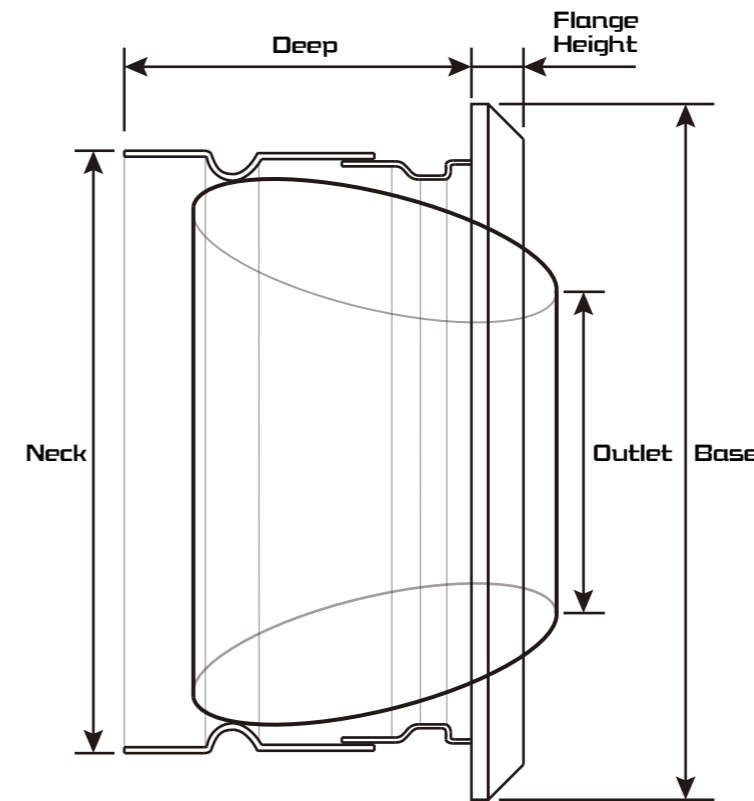
- 鋁質 Aluminum
- 鐵質 Steel
- 不銹鋼 Stainless Steel
- 索·鋁質 Anti-drop
- 纖維 Fiberwood
- 木質 Wood
- 自訂顏色 Custom Color
- 可拆式內膽 Removable Core
- 葉片可調較 Adjustable Blade
- 配置 OBD / VCD Assemble OBD / VCD
- 劃一規格 Standard Specification



球形噴射咀(俗稱：牛眼咀)有著獨特的外觀，新穎的360°轉動式內膽設計猶如眼球般靈活，可輕易地調較送風方向。出風口則採用能有效地減低風阻的圓口徑式出風，以達到更強的風力、更遠的射程範圍，特別適用於空間較大及空曠的場所。

Jet Nozzle has a distinctive appearance. The 360° rotating core design as flexible as the bull's eye, allows for adjusting direction easily. The outlet able to reduces wind resistance effectively, in order to achieve a stronger and wide range of wind, especially for the larger space and open area.

- 鋁質 Aluminum
- 鐵質 Steel
- 不銹鋼 Stainless Steel
- 索·鋁質 Anti-drop
- 纖維 Fiberwood
- 木質 Wood



面直徑 Base	頸喉尺寸 Neck	出風口 Outlet	深度 Deep	邊框高度 Flange Height
毫米 (mm)				
Ø150	Ø100	Ø45	70	22
Ø175	Ø125	Ø60	95	24
Ø200	Ø150	Ø75	100	24
Ø265	Ø200	Ø105	120	25
Ø310	Ø250	Ø125	160	25
Ø380	Ø315	Ø180	200	30
Ø470	Ø400	Ø220	225	30

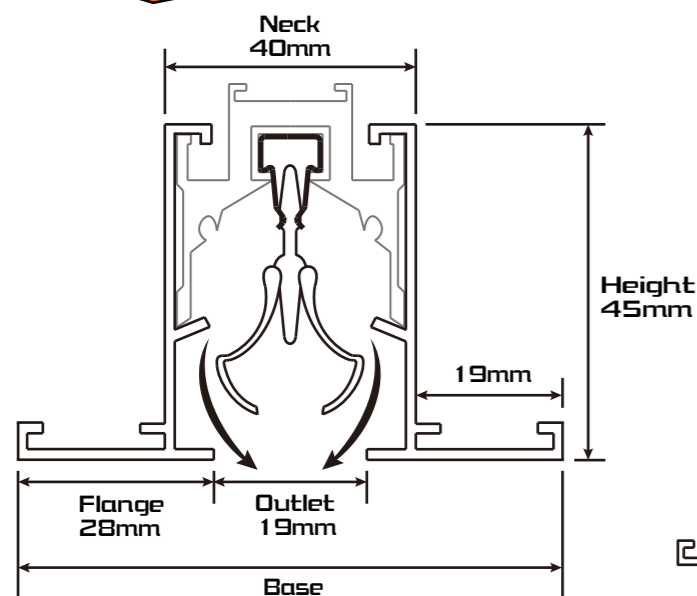
球形噴射咀 (側面圖)
Jet Nozzle (Side View)

- 自訂顏色 Custom Color
- 可拆式內膽 Removable Core
- 葉片可調較 Adjustable Blade
- 配置 OBD / VCD Assemble OBD / VCD
- 劃一規格 Standard Specification

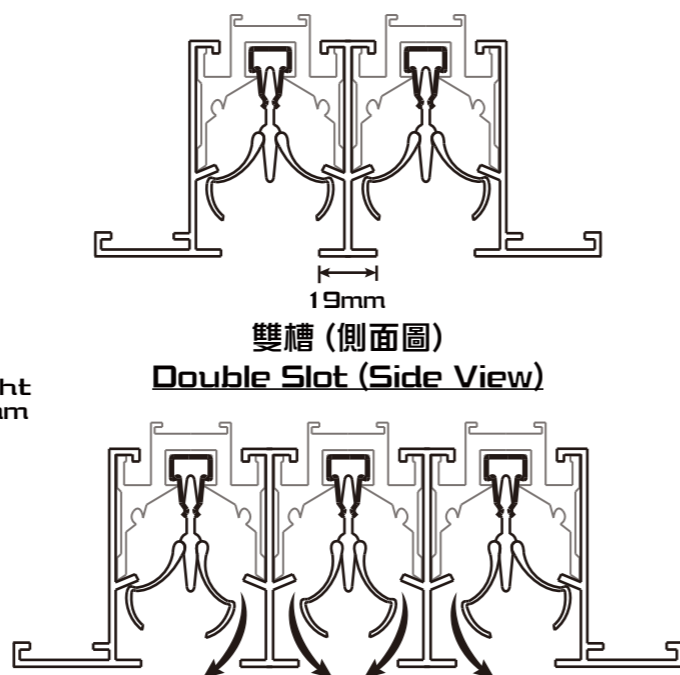


線槽散流器 (俗稱：蟹爪咀) 屬新一代的送風口。它具有型格的造型及獨特的設計，獨立的線槽內均配以兩片可調較式的弧型葉片來控制氣流方向，而葉片在生產時更已作電鍍黑色處理，故有效地減低了褪色及脫落的情況。線槽散流器因應線槽的數量多少，而有着特定的闊度，但長度卻不受限制，可作適當的分段及接駁。

Linear Slot Diffuser is a new generation of air outlet. It has attractive style and unique design, each slot come with two adjustable arc blade for controlling the direction of air flow. These arc blades has been gone through the electroplating process during production, so it can reduce the black colour fade and fall off effectively. Linear Slot Diffuser has standard size of wide, which is depends on number of slot, however, it has no limit for the length.



線槽散流器 - 單槽 (側面圖)
Linear Slot Diffuser - Single Slot (Side View)



雙槽 (側面圖)
Double Slot (Side View)

三槽 (側面圖)
Triple Slot (Side View)

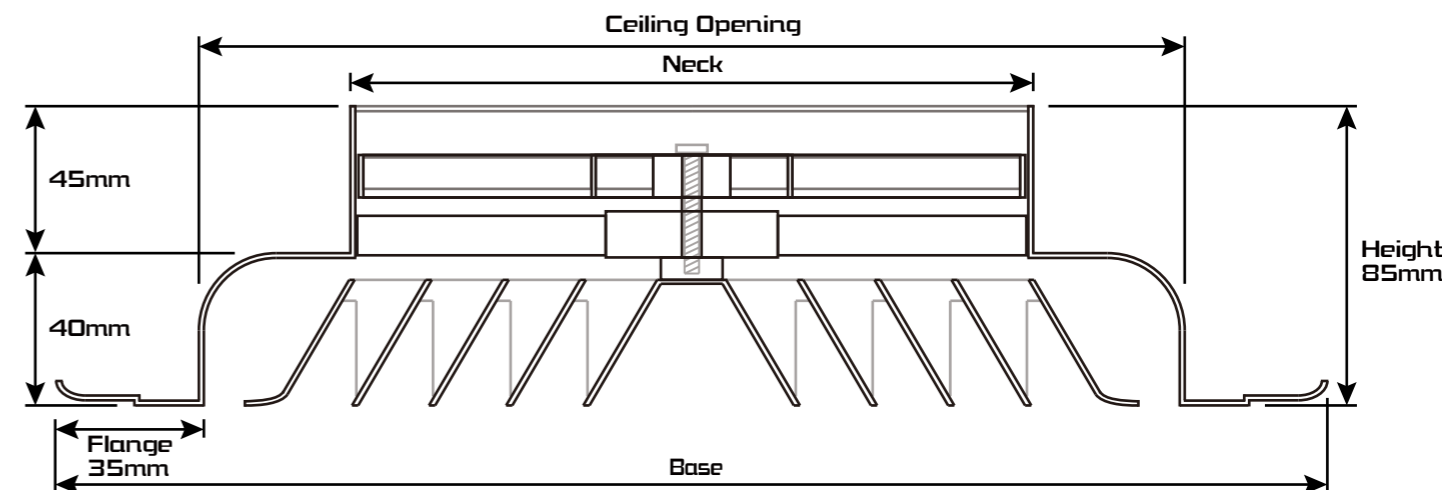


膠質圓形旋轉式散流器 (俗稱：膠圓咀) 以 ABS 高硬度塑膠製造，可旋轉式內膽透過風力推動旋轉，從而產生旋轉而穩定的氣流。

ABS Round Rotary Diffuser was fabricated by ABS (kind of high hardness plastic). Rotatable core was pushed by the wind once it go through the diffuser, to create a rotating but stable air flow.



* 另有方形外框可供選擇
Available in Square Sharp



膠質圓形旋轉式散流器 (側面圖)
ABS Round Rotary Diffuser (Side View)

線槽組數量 No. of Slot	面直徑 Base	頸喉尺寸 Neck
組 (set)	毫米 (mm)	
1組	76	40
2組	115	79
3組	154	118
4組	193	157
5組	232	196
6組	271	235
7組	310	274
8組	349	313

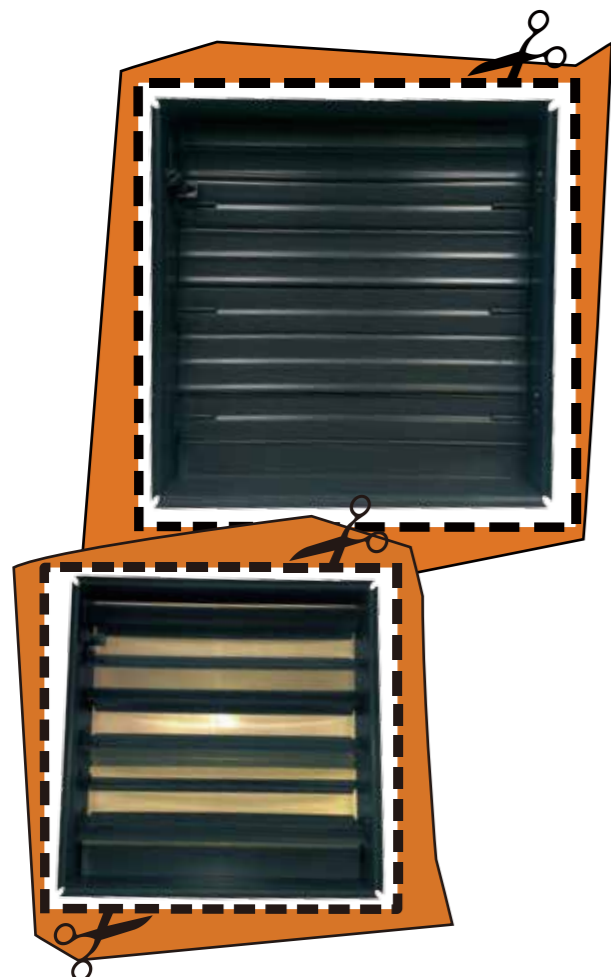
- 自訂顏色
Custom Color
- 可拆式內膽
Removable Core
- 葉片可調較
Adjustable Blade
- 配置 OBD / VCD
Assemble OBD / VCD
- 劃一規格
Standard Specification
- 鋁質
Aluminum
- 鐵質
Steel
- 不銹鋼
Stainless Steel
- 索·鋁質
Anti-drop
- 纖維
Fiberwood
- 木質
Wood

面直徑 Base	頸喉尺寸 Neck	天花開口尺寸 Ceiling Opening
毫米 (mm)		
400	250	340
400	300	340
510	355	450

- 自訂顏色
Custom Color
- 可拆式內膽
Removable Core
- 葉片可調較
Adjustable Blade
- 配置 OBD / VCD
Assemble OBD / VCD
- 劃一規格
Standard Specification

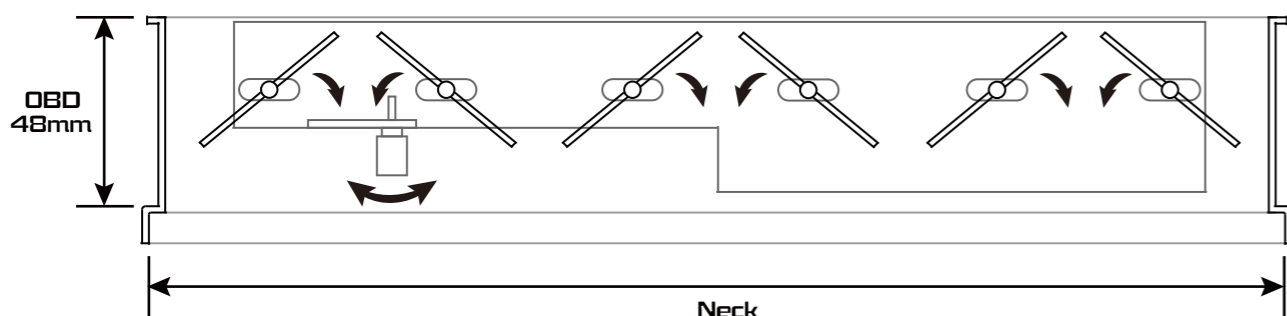
OBD 方形調節閘

O-Posed Blade Damper



OBD 方形調節閘 (簡稱 OBD) 是專為調節風口或散流器流量而設計的一種可調節、開合式的風量調節閘。經過 OBD 的氣流流量是恆定的，而由於 OBD 的用途與風管用的風量調節閘 (VCD) 大致相同，故此亦有業界人士稱之為 VCD。但為了方便及以免混淆，所以將之稱為 OBD。客戶可透過螺絲刀轉動控制器以控制 OBD 上的活動式滑板，從而調較葉片的開合角度，在可調節範圍內保持位置固定，以達到風量調節的目的。基本色為黑色或深灰色，尺寸可按實際風阻頸部尺寸配製並以鉚釘或螺絲裝配。

OBD is a special design for regulating the volume of air flow, it is functional but also user friendly. Users are able to adjust all movable blades into any angle in just one turn by using screw driver. This high efficiency was caused by a movable slide built and connected to each blade. Due to OBD are designed to used on the back of air diffuser, so the size of OBD have to be a little bigger than the actual neck size of diffuser.



- 自訂顏色
Custom Color
- 可拆式內膽
Removable Core
- 葉片可調較
Adjustable Blade
- 配置 OBD / VCD
Assemble OBD / VCD
- 劃一規格
Standard Specification

- 鋁質
Aluminum
- 鐵質
Steel
- 不銹鋼
Stainless Steel
- 索·鋁質
Anti-drop
- 纖維
Fiberwood
- 木質
Wood

OBD 圓形調節閘

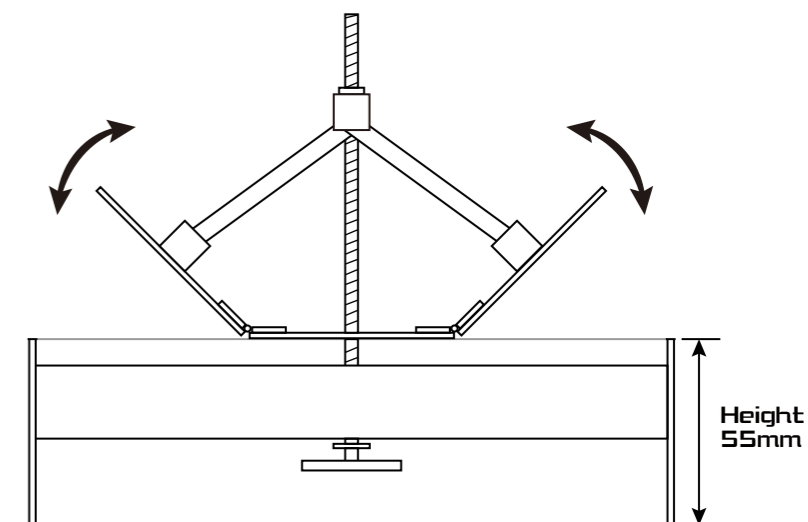
Round O-Posed Blade Damper

21
22



OBD 圓形調節閘 (俗稱：圓 OBD) 與 OBD 方形調節閘有相同用途，主要用於圓形散流器上。客戶可透過螺絲形手動控制器控制 OBD 上的活動式閘葉，從而調較閘葉的開合角度，以達到風量調節的目的。

Round OBD has the same function as the square OBD. It's mainly used for Round Ceiling Diffuser. Users are able to adjust the movable blade into any angle manually, to achieve the purpose of regulating air flow.



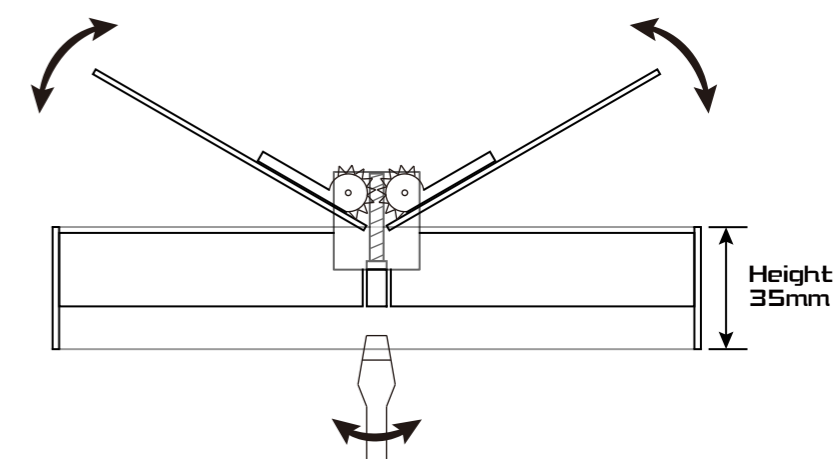
蝶形圓 OBD

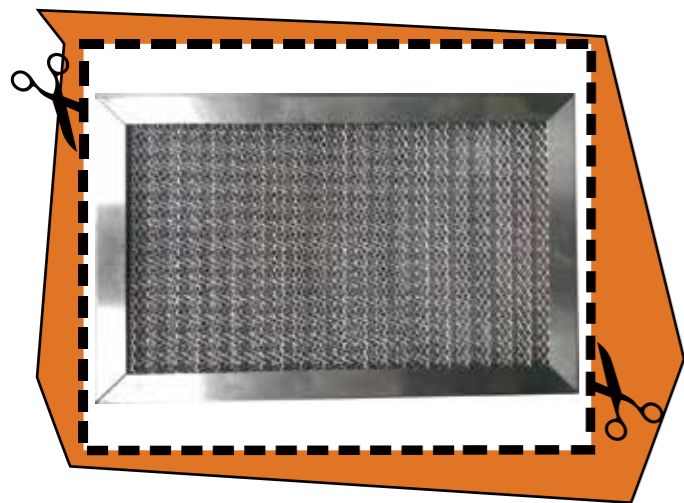
Butterfly O-Posed Blade Damper



蝶形圓 OBD 是新設計的圓 OBD，藉著齒輪的轉動來控制活動閘葉的開合幅度，並改以螺絲刀作調控，調較風量更為方便。

Butterfly OBD is a new design for Round Ceiling Diffuser used. A new component - Gear wheel, has been added, in order to operate and control easily by using screw driver.





隔塵網一般可選用鋁質、鐵質及不銹鋼製造，外框由張料經加工後屈接成 U 槽形，再裝入多層經過沖壓加工製成的波浪紋狀網，接口處以鉚釘固定。其厚度最少為 1/2 寸厚 (約 13.5 mm)，而其他規格及尺寸，則由客戶自定。

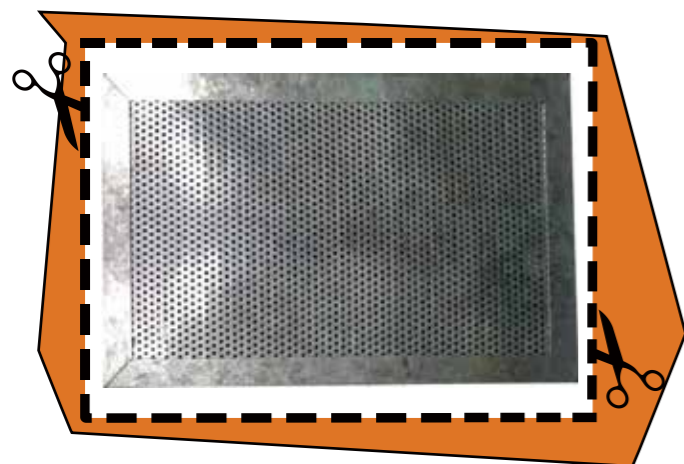
Filter can be made of Aluminum, Steel or Stainless Steel. The U shape frame was bended from piece of metal sheet, with minimum 3 layers of metal wave - shape net fasten together with a rivet. The minimum thickness of filter was 1/2 inch (around 13.5 mm), However, other specifications and dimensions are customized by the customer.



常見的門鉸式活動回風百葉
連鋁質隔塵網
Hinge Return Air Louver with
Aluminum Filter in common use.

客戶亦可選擇配搭以下各種款式的塵網。
Customers may choose the following filter
for Return Air Louver uses.

活性炭網 Carbon Filter



活性炭網內裡載滿活性炭粒子，有助吸濕、除臭。由於粒子體積細小，所以需要以鐵質窿板作兩面擋隔，而四邊則以鐵質 U 形槽包圍，並於其中一邊 U 槽面開孔，方便更換活性炭粒子

Carbon Filter contained thousands of carbon particle, in order to help the moisture absorption and deodorization. Due to the small size of particle, a steel plate with hole is required to put on both sides for blocking particle go through, each edge is covered by steel groove, with opening on one edge for the replacement of carbon particles.

白尼龍網 White Nylon Filter



白尼龍網是以尼龍編織而成的網，具備一定的韌度，同時可按客戶的要求增加或減少尼龍網的層數，再配以由鋼枝製成的內框架作加固，外層再以鋁質 U 形槽及鉚釘包圍及鎖定。其厚度最少為 1/2 寸厚 (約 13.5 mm)，而其實際規格及尺寸，則視乎尼龍網層數而定。

White Nylon Filter is woven with nylon silk, so it has certain toughness, a steel inner frame is required to make it harder, the outer layer is surrounded by aluminum U groove for better protection and appearance. According to customer requirements, we can fabricate a Nylon Filter with more than 2 layers (Standard) and the minimum thickness was 1/2 inch (around 13.5 mm), however the actual specifications and dimensions, is depends on the number of layer,

科學棉網 Floss Filter



科學棉網一般以 1 寸厚的科學棉作網芯，正面及背面加上 1/2 寸方格網作固定，外框再以鋁質、鐵質或不銹鋼 U 形槽及鉚釘包圍及鎖定。其厚度以最少為 1 寸厚，而其他規格及尺寸，則由客戶自定。

Floss Filter generally contained 1 inches thickness of Synthetic Fibre and chicken wire put in front and back, covered by aluminum U groove. The minimum thickness was 1 inch (around 25.4 mm), However, other specifications and dimensions are customized by the customer.

黑尼龍網 Black Nylon Filter



黑尼龍網整體上與白尼龍網相似，標準為單層 (另可製作多層)，並以鋼枝作框架固定，但框邊則以黑色人造皮縫合，總厚度約為 6 mm。

Black Nylon Filter is similar to White Nylon Filter. However, it has only 1 layer (Standard) and using steel bar for reinforcement, each edge is covered and seamed with black leather,



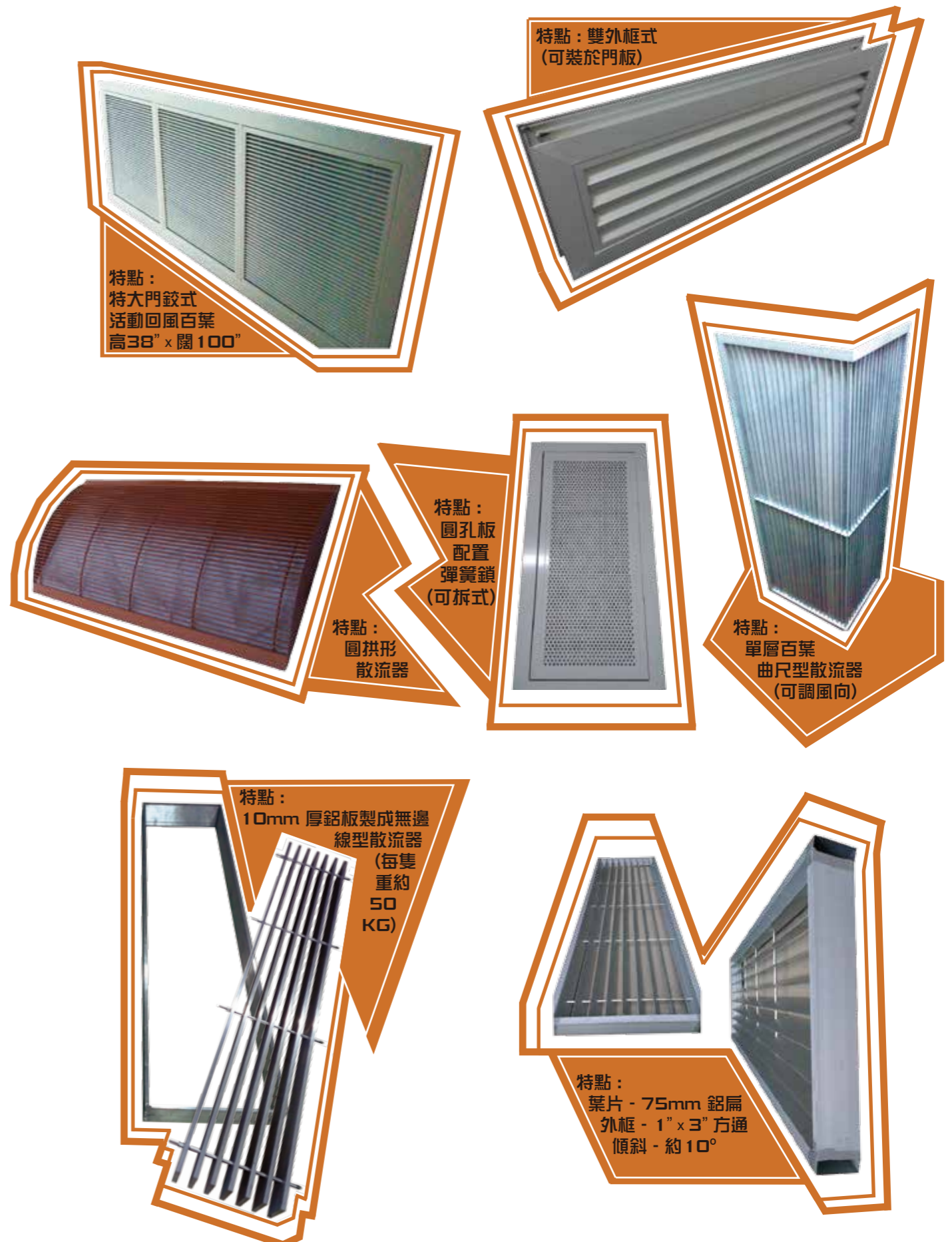
透過本目錄內特設的『產品認知表』，可讓客戶更快捷地了解有關產品的特質。
"Product Configuration" allows customers more quickly to understand the characteristics of each product.

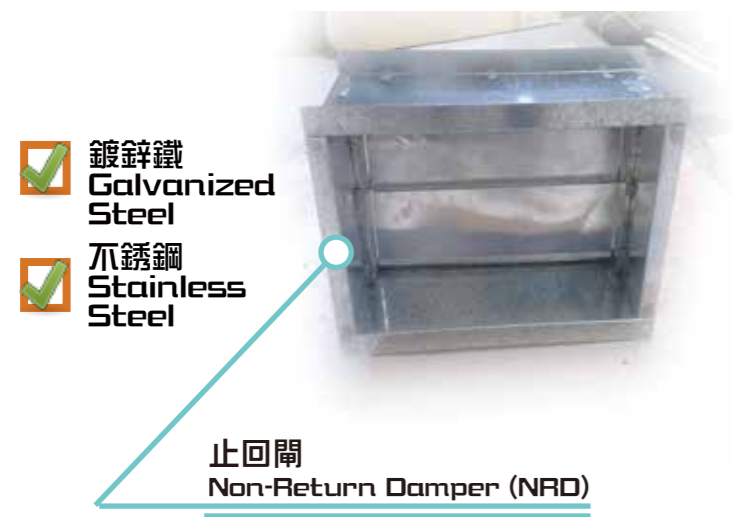
- | | | |
|------------------------|----------------------------------|---|
| ✓ = 是/可以
Positive | ✓ 鋁質
Aluminum | ✓ 自訂顏色
Custom Color |
| ✗ = 不是/不可以
Negative | ✓ 鐵質
Steel | ✓ 可拆式內膽
Removable Core |
| | ✓ 不銹鋼
Stainless Steel | ✗ 葉片可調較
Adjustable Blade |
| | ✓ 索。鋁質 ¹
Anti-drop | ✓ 配置 OBD
Assemble OBD |
| | ✗ 纖維 ¹
Fiberwood | ✗ 劃一規格 ²
Standard Specification |
| | ✗ 木質
Wood | |

*¹ 有關索。鋁質及纖維材料的介紹，可向本公司索取有關資料。
For more information about our Anti-drop & Fiberwood Material, please do not hesitate contact us.

*² 凡指此產品或存有標準規格，客戶須先了解清楚。
Please take notice that Standard Specification has applied on this product.

- P.S. :
1. 本目錄內所有尺寸只供參考，一切尺寸最終以實物為準。
All dimensions in this catalogue are for reference only, the final dimensions are subject to our actual object.
 2. 由於風口生產並不屬於高精密工業範疇，故此請接受完成品有不多於正負5毫米的誤差。
Due to the production of Air Inlet / Outlet does not belong to high precision industrial area, therefore, please accept the finished product has no more than 5mm error.
 3. 散流器 / 出風口 / 回風口的可供選擇邊框闊度有 3/4" (20mm)、1" (25mm) 及 1 1/4" (32mm)。一般情況下，如客戶沒有特別指明有關尺寸，均會採用 1 1/4" (32mm) 作為該產品邊框闊度。[具劃一規格的產品除外]
The standard border width of Air Inlet / Outlet are 3/4" (20mm), 1" (25mm) and 1 1/4" (32mm). However, if customers do not specify the border size, we will be using 1 1/4" (32mm) as the border width. [Except for the products with Standard Specification]
 4. 正常情況下，散流器 / 出風口 / 回風口面計尺寸為包邊框計算，內計會按尺寸作適量縮減。而內計尺寸則按風口背部實際尺寸生產 (包螺絲 / 釘頭位置計算)，不作刻意縮減。
Normally, Face size of Air Inlet / Outlet is counted including the borders. Neck size will be reduce a certain amount according to the actual size which is given by customer. Real Neck size which is basically including screws / nails on two sides, without reducing.
 5. 每種物料厚度及深度各有不同，訂購時需謹慎注意。
Each material have different thickness/depth, please pay attention when ordering.
 6. 訂購時請詳細描述有關產品的長度及闊度，或闊度與高度。欠缺或錯誤的指明或會造成產品生產出錯，以致葉片長度與實際不乎。
During ordering, please pay attention to the details of length, width and height. An incorrect or lack of product specification will cause a mistake.
 7. 鋁質、鐵質、索。鋁質及纖維散流器 / 出風口 / 回風口的基本色均為白色。
木質散流器 / 出風口 / 回風口的表面會噴上光油作基本色。
不銹鋼散流器 / 出風口 / 回風口則保留原色，不作任何處理。
Aluminum, Steel, Anti-Drop and Fiberwood Air Inlet / Outlet basic colors are white.
Wood Air Inlet / Outlet are using varnish as the basic color.
Stainless steel Air Inlet / Outlet will retain the original colors, without any painting.
 8. 客戶可按其實際需求提供色板，以訂製不同顏色的散流器 / 出風口 / 回風口 [調色存在一定的色差]。客戶亦可要求保留原色，免作噴塗。
Color Mixing & Painting Service is available for meeting customer needs. Customers also can request to retain the original color, without spraying.
 9. 本目錄內產品或隨市場的需求及潮流而有所變更，故產品外貌及尺寸如有更改，恕不另行通知。
Products appearance, dimensions or all specifications in this catalogue are subject to change without notice.





動力牌 是我公司創立的另一品牌，主要生產各種類型的風櫃及盤管，產品由自設生產線生產，並採用進口設備及配件，每部成品均經過技術人員的檢驗及測試，以求達到最佳的出廠設定。

Dynamic is another brand that we have founded. It has its own product line for producing various types of Fan Unit and Coil by using imported equipments and accessories. Each finished product will go through the inspection, in order to achieve the best quality.

